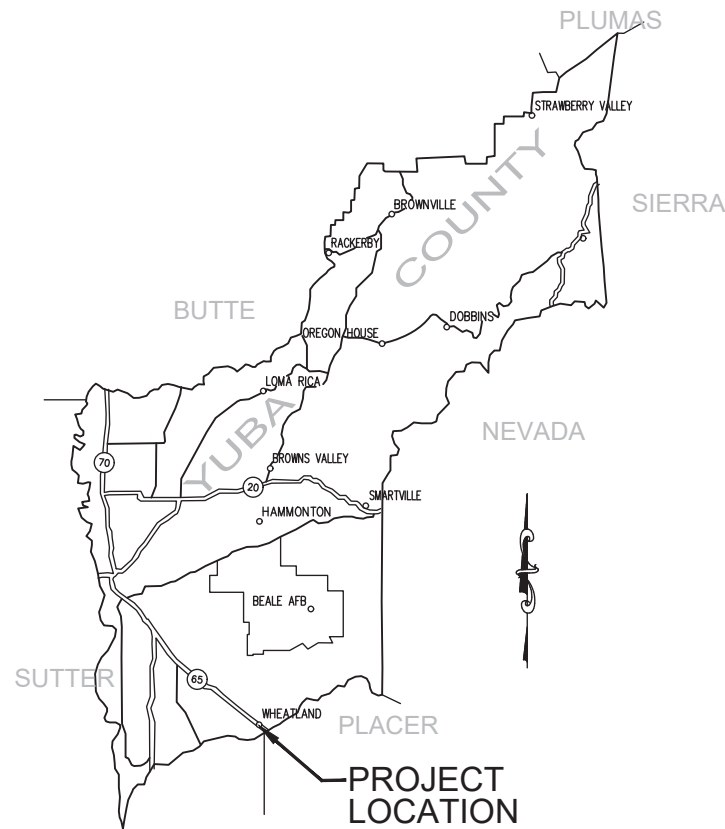
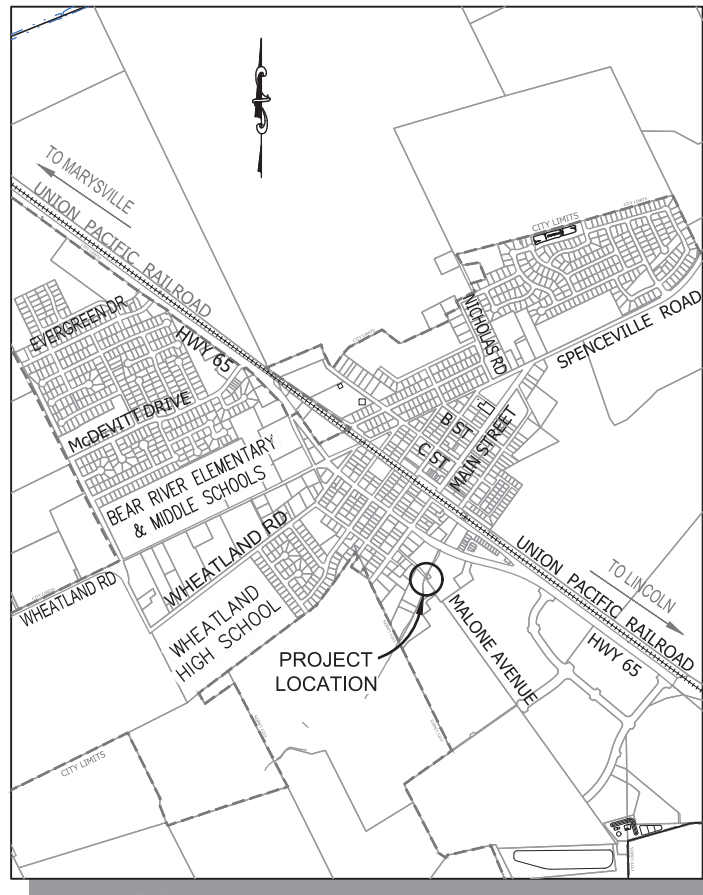


PROJECT PLANS FOR : MALONE AVENUE CULVERT REPLACEMENT PROJECT PHASE 2 JULY 2019

FOR THE
CITY OF WHEATLAND
YUBA COUNTY, CALIFORNIA



VICINITY MAP



LOCATION MAP

NOT TO SCALE

INDEX OF SHEETS

Sheet Number	Sheet Title
1	COVER SHEET
2	GENERAL NOTES, ABBREVIATIONS AND LEGEND
3	MALONE AVENUE CULVERT - SITE PLAN
4	DETAIL SHEET

CONTRACTOR SHALL POSSESS A VALID CLASS "A"
LICENSE AT THE TIME CONTRACT IS AWARDED

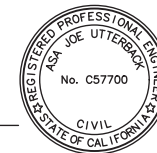


Coastland Civil Engineering, Inc.

11641 Blocker Dr, Ste 170, Auburn, CA 95603
530.888.9929 530.889.9979 Fax

ASA JOE UTTERBACK, RCE C57700

DATE



**PRELIMINARY
FOR BID AUTHORIZATION**

CITY OF WHEATLAND
APPROVED DATE:

DANE H. SCHILLING, CITY ENGINEER

PROJECT NUMBER
77-3903

DRAWING DATE
JULY 2019

DRAWING NUMBER
1 OF 4

Images: Microsoft Logo on Site WHEATLAND.HF; Yorks; Westland; Bross; Dep; CCS-ENGINEERS; STAMPS-PLAN; Dep; CCS-ENGINEERS; STAMPS-COLORS.dwg
 Path: F:\Civil_3D\Projects\173903_Malone Culvert\Drawings\Layout\Notes_Sht-2.dwg; Plot Date: Jul 02, 2019 at 12:19

FOR REDUCED PLANS, THE ORIGINAL SCALE IS IN INCHES

ORIGINAL PLOT DATE:

GENERAL NOTES

- EXCAVATIONS OVER FIVE FEET (5') DEEP REQUIRE AN EXCAVATION PERMIT FROM THE STATE DEPARTMENT OF INDUSTRIAL SAFETY.
- CONTRACTOR SHALL CALL "UNDERGROUND SERVICE ALERT" AT (800) 642-2444 AT LEAST ONE (1) WEEK PRIOR TO START OF CONSTRUCTION FOR LOCATING UNDERGROUND UTILITIES.
- CONSTRUCTION CONTRACTOR AGREES THAT IN ACCORDANCE WITH GENERALLY ACCEPTED CONSTRUCTION PRACTICES, CONSTRUCTION CONTRACTOR WILL BE REQUIRED TO ASSUME SOLE AND COMPLETE RESPONSIBILITY FOR JOB SITE CONDITIONS DURING THE COURSE OF CONSTRUCTION OF THE PROJECT, INCLUDING SAFETY OF ALL PERSONS AND PROPERTY; THAT THIS REQUIREMENT SHALL BE MADE TO APPLY CONTINUOUSLY AND NOT BE LIMITED TO NORMAL WORKING HOURS.
- UNAUTHORIZED CHANGES & USES: THE ENGINEER PREPARING THESE PLANS WILL NOT BE RESPONSIBLE FOR, OR LIABLE FOR, UNAUTHORIZED CHANGES TO OR USES OF THESE PLANS. ALL CHANGES TO THE PLANS MUST BE IN WRITING AND MUST BE APPROVED BY THE PREPARER OF THESE PLANS.
- THE EXISTENCE AND LOCATION OF ANY UNDERGROUND UTILITY LINES OR STRUCTURES SHOWN ON THESE PLANS WERE OBTAINED BY A SEARCH OF AVAILABLE RECORDS. TO THE BEST OF OUR KNOWLEDGE THERE ARE NO EXISTING UTILITIES EXCEPT AS SHOWN ON THESE PLANS. TAKE DUE PRECAUTIONARY MEASURES TO PROTECT THE UTILITY LINES SHOWN AND ANY OTHER LINES NOT OF RECORD OR NOT SHOWN ON THESE PLANS.
- THE CONTRACTOR SHALL BE RESPONSIBLE FOR ANY DAMAGES TO CITY OR OTHER UTILITIES CAUSED BY HIS OPERATIONS.
- THE CONTRACTOR SHALL MAINTAIN REASONABLE ACCESS TO ALL DRIVEWAYS DURING CONSTRUCTION. MAIL SERVICE SHALL BE MAINTAINED THROUGHOUT THE COURSE OF THIS PROJECT. THE U.S. POSTAL SERVICE SHALL HAVE UNINTERRUPTED ACCESS TO MAILBOXES AT ALL TIMES.
- THE CONTRACTOR SHALL BE RESPONSIBLE FOR OFF-SITE DISPOSAL OF ALL BITUMINOUS PAVEMENT, CONCRETE AND REINFORCEMENT, AND SPOILS NOT NEEDED FOR BACKFILL AS REQUIRED BY THE ENGINEER AND PER THE SPECIFICATIONS.
- PRIOR TO THE START OF CONSTRUCTION THE CONTRACTOR SHALL PROVIDE THE CITY ENGINEER A TRAFFIC CONTROL PLAN IN ACCORDANCE WITH THE PROJECT SPECIFICATIONS.
- PORTIONS OF THE WORK ARE WITHIN EXISTING STATE RIGHT-OF-WAY FOR HIGHWAY 65. CONTRACTOR SHALL OBTAIN CALTRANS DOUBLE ENCROACHMENT PERMIT. REFER TO COPY OF PERMIT OBTAINED BY CITY IN APPENDIX TO CONTRACT SPECIFICATIONS.
- ALL FIELD STAKING AND SITE LAYOUT SHALL BE PERFORMED BY OR UNDER THE DIRECTION OF A PROFESSIONAL LAND SURVEYOR OR CIVIL ENGINEER LICENSED IN THE STATE OF CALIFORNIA AT THE EXPENSE OF THE CONTRACTOR. SURVEY CONTROL ESTABLISHED BY THE DESIGN TEAM AND CAD FILES WITH DESIGN LAYOUT WILL BE AVAILABLE TO THE CONTRACTOR'S SURVEYOR FOR CONSTRUCTION STAKING PURPOSES.

ABBREVIATIONS

AC	ASPHALT CONCRETE	OC	ON CENTER
AB	AGGREGATE BASE	OG	ORIGINAL GROUND
ACP	ASBESTOS CEMENT PIPE	OD	OUTSIDE DIMENSION
A.P.N.	ASSESSORS PARCEL NUMBER	OH	OVERHEAD UTILITY
A.R.V.	AIR RELEASE VALVE	PB	PULL BOX
BC	BEGIN CURVE	PC	POINT OF CURVATURE
BFP	BACK FLOW PREVENTER	PCC	POINT OF COMPOUND CURVE, PORTLAND CONCRETE CEMENT
BO	BLOWOFF		
BRC	BEGIN REVERSE CURVE	PED	PEDESTRIAN
BSW	BACK OF SIDEWALK	PI	POINT OF INTERSECTION
BWV	BACKWATER VALVE	PL	PROPERTY LINE
BVC	BEGIN VERTICAL CURVE	PVC	POLY VINYL CHLORIDE
CB	CATCH BASIN	PVI	POINT OF VERTICAL INTERSECTION
C&G	CURB & GUTTER	PRV	PRESSURE REDUCING VALVE
CI	CAST IRON	R	RADIUS
CL	CENTERLINE	R.C.	RELATIVE COMPACTION
CLC	CONTROL LINE COORDINATE	RCP	REINFORCED CONCRETE PIPE
CMP	CORRUGATED METAL PIPE	RET	RETAINING
CO	CLEANOUT	RPB	REDUCED PRESSURE BACKFLOW PREVENTER
CONC	CONCRETE	R&R	REMOVE & REPLACE
CP	CONTROL POINT	RT	RIGHT
CR	CURB RETURN	RW	RECLAIMED WATER
CSP	CORRUGATED STEEL PIPE	R/W	RIGHT-OF-WAY
CV	CHECK VALVE	S	SLOPE
DET.	DETECTOR	SD	STORM DRAIN
DI	DROP INLET	SDE	STORM DRAIN EASEMENT
DIP	DUCTILE IRON PIPE	SDMH	STORM DRAIN MANHOLE
DWY	DRIVEWAY	SL	STREET LIGHT
E	ELECTRICAL, ELECTRICAL CONDUIT	SS	SANITARY SEWER
EC	END CURVE	SSE	SANITARY SEWER EASEMENT
EG	EXISTING GRADE	SS LAT	SANITARY SEWER LATERAL
ELEC	ELECTRIC	SSMH	SANITARY SEWER MANHOLE
EL. ELEV	ELEVATION	SSCO	SANITARY SEWER CLEANOUT
EP	EDGE OF PAVEMENT	SSFM	SANITARY SEWER FORCE MAIN
EVC	END VERTICAL CURVE	STA	STATION
EX(E)	EXISTING	STL	STEEL PIPE
EW	EACH WAY	STD	STANDARD
FBG	FEET BELOW GRADE	TB	TOP OF BANK
FC	FACE OF CURB	TC	TOP OF CURB
FG	FINISHED GRADE	TCE	TEMPORARY CONSTRUCTION EASEMENT
FL	FLOW LINE	TEL	TELEPHONE
FS	FINISH SURFACE	TG	TOP OF GRATE
FSW	FRONT OF SIDEWALK	TOE	TOE OF SLOPE
G	GAS	TOP	TOP OF PIPE
GB	GRADE BREAK	TP	TELEPHONE POLE
G SER	GAS SERVICE	TS	TRAFFIC SIGNAL
GV	GATE VALVE	TW	TOP OF WALL
HDPE	HIGH DENSITY POLYETHYLENE	TYP.	TYPICAL
HP	HIGH POINT	U	UNDERGROUND UTILITY
IC	INTERCONNECT	UG	UNDERGROUND
IG	INVERT GRADE	UPC	UNIFORM PLUMBING CODE
INV	INVERT GRADE	UTIL	UTILITY
IP	IRON PIPE	VC	VERTICAL CURVE
JP	JOINT POLE	VIF	VERIFY IN FIELD
JT	JOINT TRENCH	VL	VAULT
LAT	SANITARY SEWER LATERAL	VAR.	VARIES
LF	LINEAR FEET	W, WTR	WATER, WATER MAIN
LG	LIP OF GUTTER	WM	WATER MAIN
LT	LEFT	WS	WATER SERVICE
MB	MAILBOX	W SER	WATER SERVICE
MH	MANHOLE		

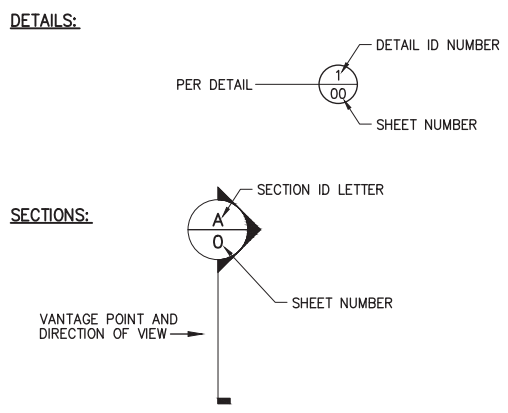
WV WATER VALVE
< PT ANGLE POINT

LEGEND

DESCRIPTION OF LINETYPE	PROPOSED	EXISTING
PROPERTY LINE	---	---
EASEMENT	---	---
FLOWLINE	---	---
CENTERLINE/CONTROL LINE	---	---
CHAIN LINK FENCE	○-○-○-○	○-○-○-○
WOOD FENCE	○-○-○-○	○-○-○-○
WIRE FENCE	-x-x-x-x-x-	-x-x-x-x-x-
WATER MAIN PIPE	---	---
SANITARY SEWER PIPE	---	---
STORM DRAIN PIPE	---	---
GAS LINE	---	---
TELEPHONE LINE/CONDUIT	---	---
ELECTRICAL LINE/CONDUIT	---	---
OVERHEAD UTILITY	---	---

DESCRIPTION OF SYMBOL	PROPOSED	EXISTING
CONCRETE	[Pattern]	[Pattern]
ASPHALT CONCRETE	[Pattern]	[Pattern]
EDGE GRIND	[Pattern]	N/A
ROCK SLOPE PROTECTION	[Pattern]	[Pattern]
WATER MAIN GATE VALVE	[Symbol]	[Symbol]
WATER MAIN BLOWOFF	[Symbol]	[Symbol]
WATER METER	[Symbol]	[Symbol]
FIRE HYDRANT	[Symbol]	[Symbol]
BACKFLOW PREVENTER	[Symbol]	[Symbol]
SANITARY SEWER MANHOLE	[Symbol]	[Symbol]
SANITARY SEWER CLEANOUT	[Symbol]	[Symbol]
STORM DRAIN MANHOLE	[Symbol]	[Symbol]
STORM DRAIN CURB INLET/CATCH BASIN	[Symbol]	[Symbol]
STORM DRAIN DROP INLET (TOP OPENING)	[Symbol]	[Symbol]
STORM DRAIN DROP INLET (SIDE OPENING)	[Symbol]	[Symbol]
MAILBOX	[Symbol]	[Symbol]
ROADSIDE SIGN	[Symbol]	[Symbol]
STREET LIGHT	[Symbol]	[Symbol]
TREE AND DRIP LINE	[Symbol]	[Symbol]
SURVEY CONTROL POINT	[Symbol]	[Symbol]
JOINT UTILITY POLE	[Symbol]	[Symbol]
ADDRESS	[Symbol]	[Symbol]
CROSSWALK	[Symbol]	[Symbol]
CROSSWALK (HIGH VISIBILITY)	[Symbol]	[Symbol]

DETAIL AND SECTION CALLOUTS



PREPARED UNDER THE DIRECTION OF
 ASA JOE UTTERBACK, RCE C57700 DATE
 DESIGNED BY AJU
 DRAWN BY JWM
 REVIEWED BY DHS

Coastland Civil Engineering, Inc.
 11641 Blocker Dr., Ste 170, Auburn, CA 95603
 530.868.9979 Fax
 530.868.9929

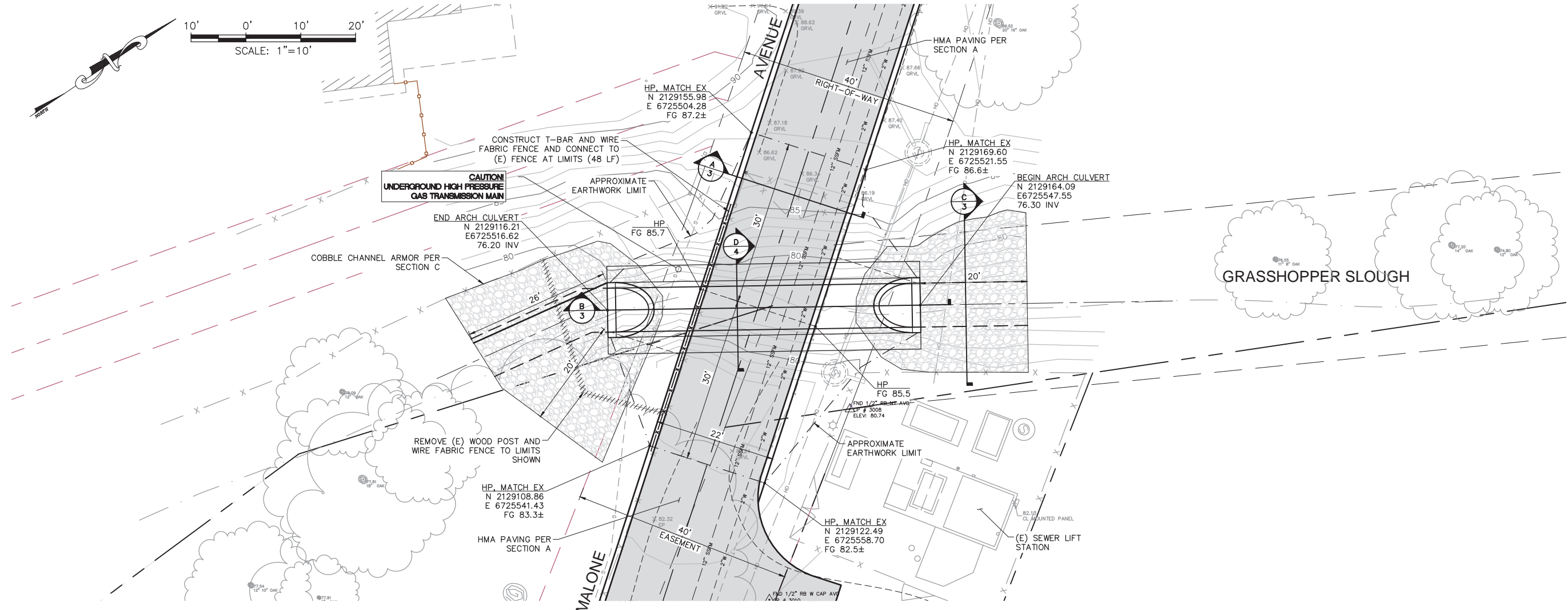
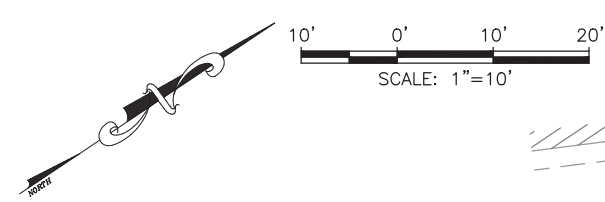
MALONE AVENUE CULVERT REPLACEMENT PROJECT
 PHASE 2
 CITY OF WHEATLAND CALIFORNIA
GENERAL NOTES, ABBREVIATIONS AND LEGEND

PROJECT NUMBER 77-3903
 DRAWING DATE JULY 2019
 SHEET NUMBER 2 OF 4

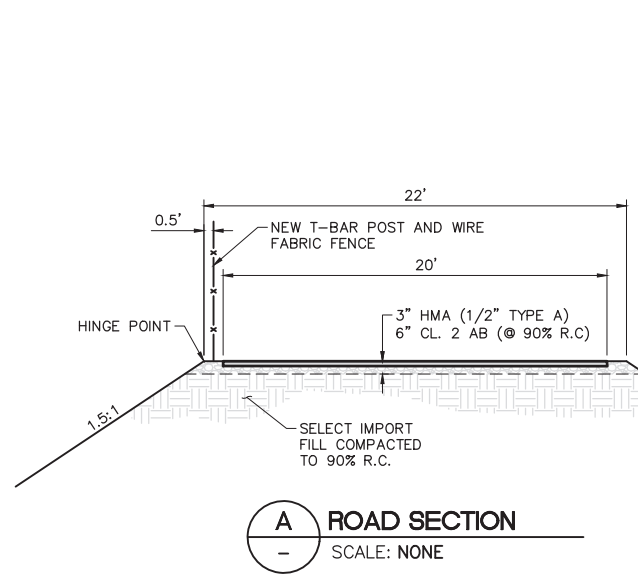
PRELIMINARY FOR BID AUTHORIZATION

HALF SIZE PLANS

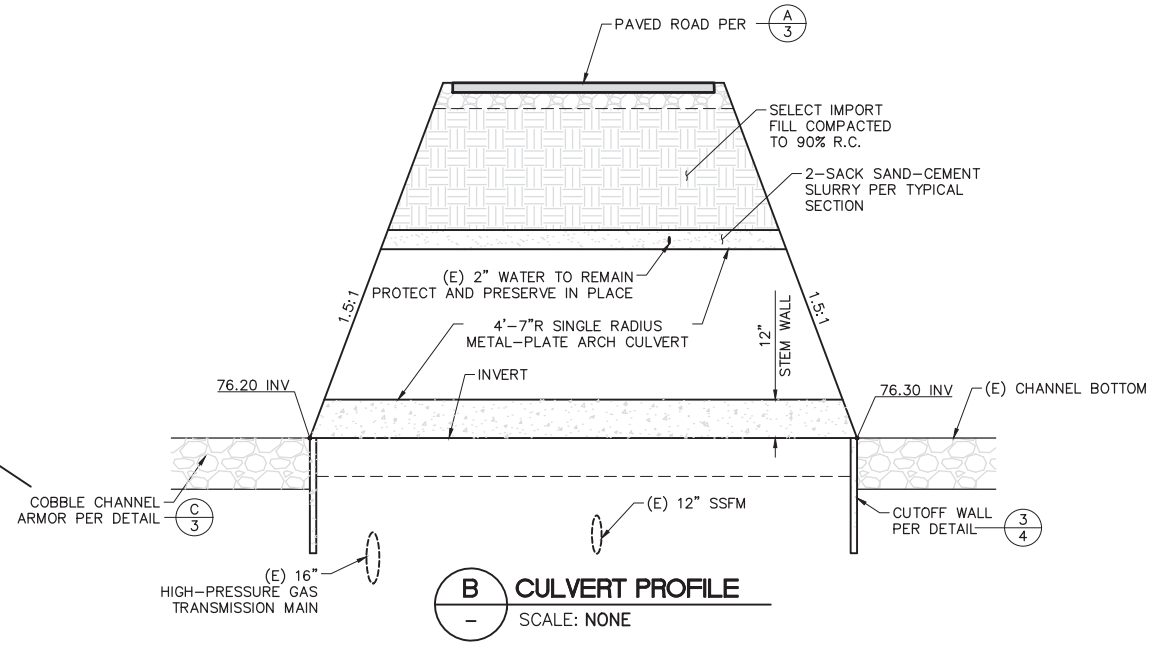
ORIGINAL PLOT DATE: _____
 FOR REDUCED PLANS, THE ORIGINAL SCALE IS IN INCHES
 3
 2
 1
 0
 773903-TP-ENG-COE-ENGINEERS STAMPS-PLAN-773903-Malone Culvert Replacement.dwg
 7/30/2019 10:52
 Plot Date: Jul 03, 2019 at 10:52
 Layout Name: Sht-3
 Layout: Sht-3
 Project: 773903-Malone Culvert Replacement.dwg
 Path: F:\Cml\30\Projects\773903-Malone Culvert Replacement.dwg
 User: jmm



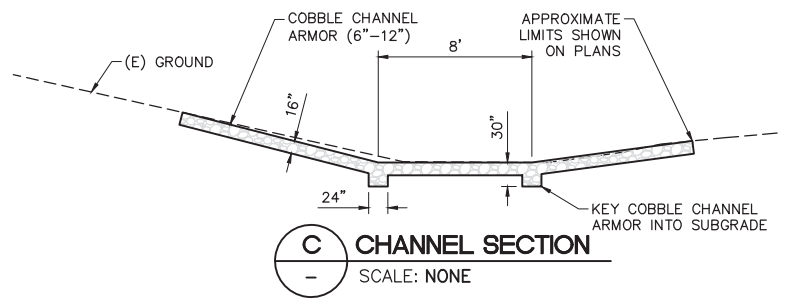
CULVERT PLAN



A ROAD SECTION
 SCALE: NONE



B CULVERT PROFILE
 SCALE: NONE



C CHANNEL SECTION
 SCALE: NONE

**PRELIMINARY
 FOR BID AUTHORIZATION**



PREPARED UNDER THE DIRECTION OF
 09/10/2018
 ASA JOE UTTERBACK, RCE C57700 DATE
 DESIGNED BY AJU
 DRAWN BY JMM
 REVIEWED BY DHS

Coastland Civil Engineering, Inc.
 11641 Blocker Dr, Ste 170, Auburn, CA 95603
 530.889.9979 Fax

CALIFORNIA
 WHEATLAND
 MALONE AVENUE CULVERT REPLACEMENT PROJECT
 PHASE 2
**MALONE AVENUE CULVERT
 SITE PLAN**

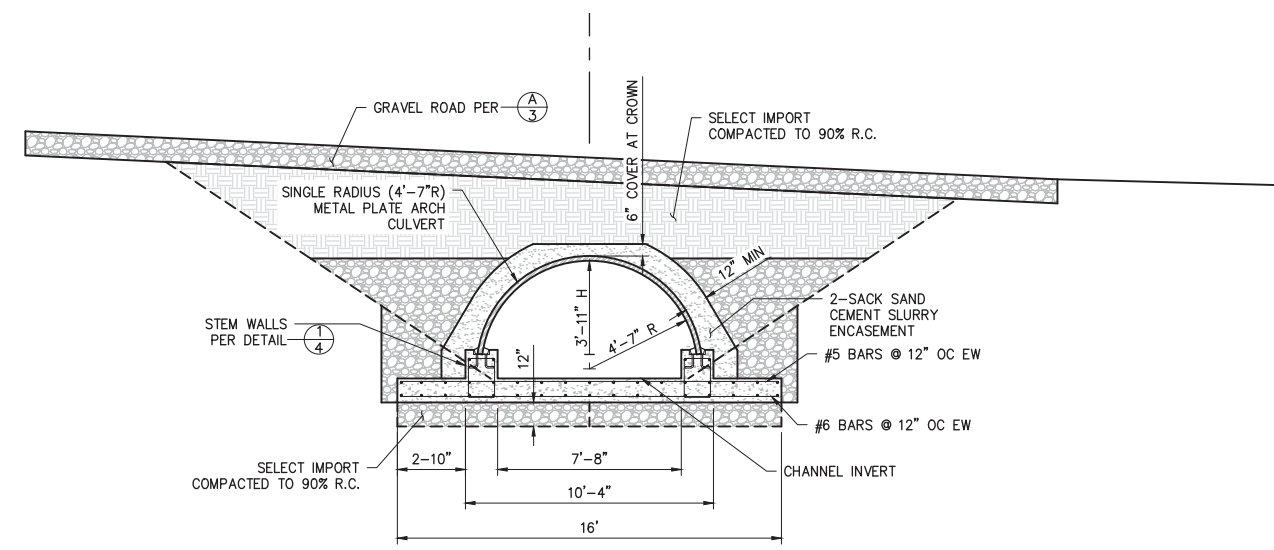
PROJECT NUMBER
 77-3903
 DRAWING DATE
 JULY 2019
 SHEET NUMBER
3 OF 4

HALF SIZE PLANS

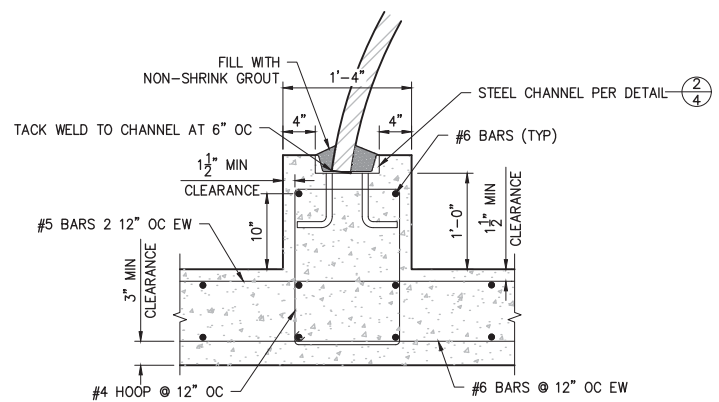
Images: \\hcd\land\lsp\m\p\wheatland\h\york\wheatland\brass\dep\cse\ENGINEERS STAMPS-PLAN\dep\cse\ENGINEERS STAMPS-C0065.dwg
 Path: F:\C:\3D\Projects\773903_Malone Culvert\Drawings Layout Name: SH-4 Rev: Date: Jul 02, 2019 at 12:20

FOR REDUCED PLANS, THE ORIGINAL SCALE IS IN INCHES

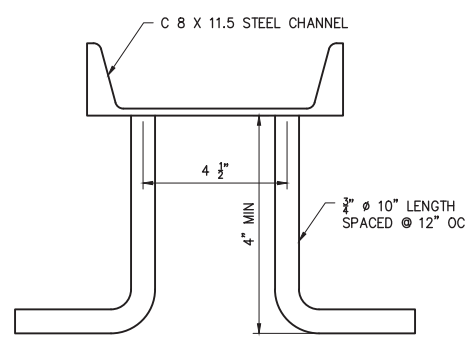
ORIGINAL PLOT DATE:



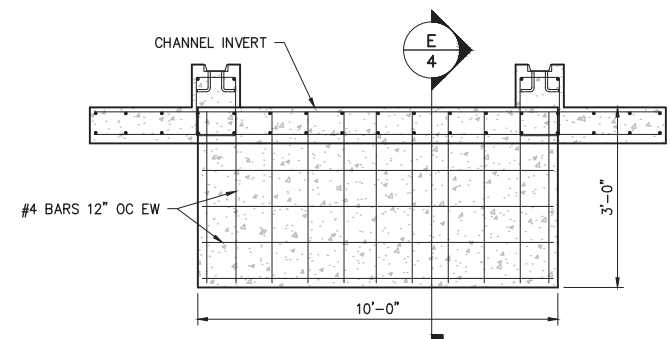
D CULVERT SECTION
SCALE: NONE



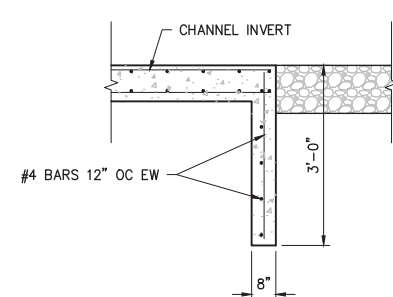
1 STEM WALL SECTION
SCALE: NONE



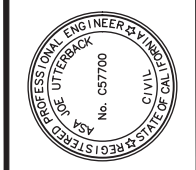
2 STEEL CHANNEL DETAIL
SCALE: NONE



3 CUTOFF WALL
SCALE: NONE



E CUTOFF WALL SECTION
SCALE: NONE



PREPARED UNDER THE DIRECTION OF
 ASA JOE UTTERBACK, RCE C57700 DATE
 DESIGNED BY AJU DRAWN BY JWM REVIEWED BY DHS

Coastland Civil Engineering, Inc.
 11641 Blocker Dr, Ste 170, Auburn, CA 95603
 530.888.9929 Fax 530.888.9979

MALONE AVENUE CULVERT REPLACEMENT PROJECT
 PHASE 2
 CITY OF WHEATLAND
 CALIFORNIA
DETAIL SHEET
 NAME-2

PROJECT NUMBER 77-3903
 DRAWING DATE JULY 2019
 SHEET NUMBER 4 OF 4

PRELIMINARY FOR BID AUTHORIZATION

HALF SIZE PLANS