



**City of Wheatland  
California**

**Department of Public Works**

**NOTICE TO BIDDERS**

**SPECIAL PROVISIONS, PROPOSAL AND CONTRACT**

**FOR**

**FOREST GLEN LIFT STATION REHABILITATION PROJECT  
IN  
WHEATLAND, CA**

**CURRENT GENERAL PREVAILING WAGE RATES AND  
LABOR SURCHARGE AND EQUIPMENT RENTAL RATES  
OF THE CALIFORNIA DEPARTMENT OF TRANSPORTATION**

**ISSUED DATE:  
June 30<sup>th</sup>, 2017**

**BID OPENING DATE:  
July 19<sup>th</sup>, 2017 2:00 PM**

## **CITY OF WHEATLAND**

### **FOREST GLEN LIFT STATION REHABILITATION PROJECT**

#### **NOTICE INVITING BIDS**

NOTICE IS HEREBY GIVEN that sealed bids will be received by the City Clerk of the City of Wheatland, 111 C Street, Wheatland, California, until the hour of 2:00 pm on July 19th, 2017 at which time they will be publicly opened and read aloud at City Hall, for:

#### **CITY OF WHEATLAND FOREST GLEN LIFT STATION REHABILITATION PROJECT**

In General, the Project consists of the removal old components and installation of new components within an existing lift station including: installation of two new stainless steel guide bars per pump, stainless steel upper guide brackets, intermediate guide rail brackets and stainless steel lifting cables; replace four-inch diameter ductile iron discharge pipes, with new pipe with class 125 flanges and compression couplings; replace two four-inch gate valves and two four-inch check valves (swing type); remove and replace two four-inch discharge Flygt NP -3102 pumps with chopper impellers with 60 HRC hardness, 5HP and 3 phase motor, with stainless steel lifting bails or approved equal; construct a four-inch by-pass connection to the force main including a four-inch wye, four-inch gate valve and four-inch quick connect in the existing valve box.

Complete bid packages, including record drawing, technical specifications, bid forms and contract documents may be obtained at:

City of Wheatland  
111 C Street  
Wheatland, California 95692  
Phone (530) 633-2761, fax (530) 633-9102.

**Record Drawing, Specifications, Bid Documents, and Contract Documents are available on the City's at website <http://www.wheatland.ca.gov/> or by contacting the City of Wheatland at 530-633-2761.**

In accordance with California Public Contract Code Section 3400, bidders may propose equals of products listed in the technical specifications or project plans by manufacturer name, brand or model number, unless the technical specifications or plans specify that the product is necessary to match others in use. Complete information for products proposed as equals must be submitted to the Coastland Civil Engineering for review at least 10 working days before the time specified for bid opening in accordance with the bidders instructions contained in the bid package.

In accordance with California Public Contract Code Section 20170, all bids must be presented under sealed cover and include one of the following forms of bidder's security: cash, cashier's check made payable to the City, certified check made payable to the City, or a bidder's bond. The amount of bidder's security provided must equal at least ten (10) percent of the total of the bid price for the base bid and the additive or deductive items listed in this notice. The successful

bidder must submit to the City complete, executed copies of all required documents within ten (10) working days of receiving written notice of award of the project. Bidder's security of any successful bidder that fails to do so will be forfeited to the City. Such required documents include, but are not limited to, a payment or labor and materials bond in an amount of at least 100 percent of the amount payable by the terms of the project contract and that satisfies the requirements of California Civil Code Section 3248, and a performance bond in an amount of at least 100 percent of the amount payable by the terms of the contract. All project bonds must be executed by an admitted surety insurer in accordance with applicable law and acceptable to the City.

Pursuant to the provisions of Section 1770 et seq. of the California Labor Code the Director of Industrial Relations for the State of California has ascertained the current general prevailing rate of wages for employer purposes, in Yuba County, State of California. Not less than the general prevailing rate of per diem wages for work of a similar character in Yuba County and not less than the general prevailing rate of per diem wages for holiday work fixed as provided in the California Labor Code shall be paid to all workers engaged in performing the project.

In accordance with the California Government Code Section 1773.2, copies of the applicable determinations of the Director are on file in the City of Wheatland, office of the City Engineer, and may be reviewed upon request.

A pre-bid meeting is not scheduled for this project. Site inspections may be scheduled by contacting the project manager.

In accordance with California Public Contract Code Section 3300, a valid Class A or Class C34 California contractor's license is required to bid on the project.

In accordance with California Public Contract Code Section 22300, except where prohibited by federal regulations or policies, the successful bidder may, on request and at its expense, substitute securities in lieu of amounts withheld by the City from progress payments to ensure performance under the contract in accordance with the contract documents.

The City of Wheatland reserves the right to postpone the date and time for the opening of proposals at any time prior to the date and time announced in the advertisement in accordance with applicable law.

The City of Wheatland reserves the right to reject any and all bids or to waive any defects or irregularity in bidding in accordance with applicable law. In accordance with California Public Contract Code Section 20103.8, if the City elects to award a contract for performance of the project, the contract will be awarded in accordance with California Public Contract Code Section 20162 and other applicable law to the responsible bidder submitting a responsive bid with the lowest total bid price for the base bid without consideration of the bid price for any additive or deductive items. All bids will remain valid for 60 days after the bid opening. Except as permitted by law and subject to all applicable remedies, including forfeiture of bidder's security, bidders may not withdraw their bid during the 60 day period after the bid opening.

By order of the City Manager of the City of Wheatland, Yuba County, California.

## TABLE OF CONTENTS

Instructions to Bidders .....	BB-1
Bidder's Check List .....	BB-12
Proposal and Schedule of Bid Prices .....	BB-13
Bid Bond .....	BB-17
Contractor License Information .....	BB-19
List of Subcontractors .....	BB-20
Workers Compensation Insurance Certification .....	BB-22
Non-Collusion Affidavit .....	BB-23
Debarment Certification.....	BB-24
Debarment And Suspension Certification .....	BB-25
Public Contract Code Section 10285.1 Statement .....	BB-26
Public Contract Code Section 10162 Questionnaire.....	BB-27
Public Contract Code Section 10232 Statement .....	BB-28
Bidder's Signature Page.....	BB-29
Contract Check List .....	BB-31
Agreement.....	BB-32
Performance Bond .....	BB-37
Payment/Labor and Materials Bond .....	BB-39
Contract Change Order.....	BB-41
Maintenance Bond .....	BB-43
Escrow Agreement.....	BB-45

## GENERAL PROVISIONS

<u>SECTION</u>	<u>TITLE</u>	
1.	Definitions.....	1
2.	Scope of Work .....	5
3.	Control of Work and Material and Changes in Work.....	7
4.	Trenching and Utilities and Project Facilities.....	19
5.	Prosecution and Progress of the Work.....	24
6.	Contractor Responsibilities .....	30
7.	Measurement and Payment .....	51
8.	Project Acceptance and Closeout.....	55
9.	Remedies and Disputes .....	57
10	Technical Specifications (Special Provisions).....	65

### Drawings:

Exhibit A – Project Location

Exhibit B – Record Drawing – Forest Glen Lift Station

## **INSTRUCTIONS TO BIDDERS**

### **1. DEFINITIONS**

- 1.1 Bid forms. The bid forms are the documents listed in the Bidder's Check List in the bid package Table of Contents as comprising the documents that must be submitted for each bid for it to be deemed complete.
- 1.2 Bid package. A complete bid package consists of the following documents: Notice to Bidders, Instructions to Bidders, Bidder's Check List, Proposal and Schedule of Bid Prices, Bid Bond, Contractor License Information, List of Proposed Subcontractors, Workers Compensation Insurance Certification, Non-collusion Affidavit, Debarment Certification, Debarment and Suspension Certification, Public Contract Code Section 10285.1, Public Contract Code Section 10162 Questionnaire, Public Contract Code Section 10232 Statement, Bidder's Questionnaire, if any, Bidder's Signature Page, Contract Check List, Contract, Performance Bond, Payment Bond, Contract Change Order, Maintenance Bond, Escrow for Security Deposit Agreement, General Provisions, Special Provisions, and the Project Plans.
- 1.3 Contract documents. The contract documents are all of the documents incorporated into the final Project contract as listed in the contract.
- 1.4 Project. The Project is the Forest Glen Lift Station Rehabilitation Project as described in the bid package.
- 1.5 Project Plans. The Project Plans are the primarily graphic detailed requirements concerning the Project contained in the bid package.
- 1.6 Technical Specifications. The Technical Specifications provide detailed requirements concerning the Project and are contained in Special Provisions in the bid package.

### **2. BIDDER'S REPRESENTATIONS**

Each bidder by submitting a bid represents that:

- 2.1 The bidder has read and understands the bid package and the bid is in accordance with all of the requirements of the bid package and applicable law.
- 2.2 Neither the bidder nor any subcontractor included on the list of proposed subcontractors submitted with the bid are ineligible to perform work on public works projects pursuant to California Labor Code Sections 1777.1 or 1777.7.
- 2.3 The bidder understands that quantities of unit price items may vary from the estimates provided in the technical specifications.

- 2.4 Representatives of the bidder have visited the Project site and have familiarized themselves with the conditions under which the Project work is to be performed so as to ensure that the Project work may be performed for the amount bid.
- 2.5 The bidder has informed the City in writing no later than five (5) working days prior to the time specified for bid opening of any apparent conflicts, errors, or ambiguities contained in the bid package or between the contents of the bid package and the Project site.

### **3. EXAMINATION OF PLANS, SPECIFICATIONS, CONTRACT, AND WORK SITE**

- 3-1 The bidder shall examine carefully the work site, the Record Drawing and Technical Specifications, and the entire Bid Package. The submission of a bid shall be conclusive evidence that the bidder has investigated and is satisfied as to the general and local conditions to be encountered, as to the character, quality and scope of work to be performed, the quantities of materials to be furnished and as to the requirements of the Contract Documents.
- 3-2 The submission of a bid shall also be conclusive evidence that the bidder is satisfied as to the character, quality and quantity of surface and subsurface materials or obstacles to be encountered insofar as this information was reasonably ascertainable from an inspection of the site and the records of exploratory work done by the City as shown in the bid documents, as well as from the Record Drawing and Technical Specifications.
- 3-3 Where the City has made investigations of work site conditions including subsurface conditions in areas where Work is to be performed, or in other areas, that may constitute possible local material sources, bidders may, upon request, inspect the records of the City as to those investigations.
- 3-4 Where there has been prior construction by the City or other public agencies within the project limits, records of the prior construction that are currently in the possession of the City and that have been used by, or are known to, the designers and administrators of the project will be made available for inspection by bidders, upon request, subject to this Section 3. Such records may include, but are not limited to, as-built drawings, design calculations, foundation and site studies, project reports and other data assembled in connection with the investigation, design, construction and maintenance of the prior projects.
- 3-5 Inspection of the records of investigations and project records in the possession of the City may be made at the Public Works Office.
- 3-6 When a log of test borings or other record of geotechnical data obtained by the City's investigation of surface and subsurface conditions is included with the Project Plans, it is furnished for the bidders' information and its use shall be subject to this Section 3.

- 3-7 In some instances, information considered by the City to be of possible interest to bidders has been compiled as "Materials Information." The use of the "Materials Information" shall be subject to the conditions and limitations set forth in this Section 3.
- 3-8 When cross sections are not included with the Project Plans, but are available, bidders may inspect the cross sections and obtain copies for their use, at their expense.
- 3-9 When cross sections are included with the Project Plans, it is expressly understood and agreed that the cross sections do not constitute part of the Agreement, do not necessarily represent actual site conditions or show location, character, dimensions and details of Work to be performed, and are included in the Project Plans only for the convenience of bidders and their use is subject to the conditions and limitations set forth in this Section 3.
- 3-10 When contour maps were used in the design of the project, bidders may inspect those maps, and if available, they may obtain copies for their use.
- 3-11 The availability or use of information described in this Section 3 is not to be construed in any way as a waiver of any of the provisions in this Section 3 and bidders are cautioned to make independent investigations and examinations as they deem necessary to be satisfied as to conditions to be encountered in the performance of the Work and, with respect to possible local material sources, the quality and quantity of material available from the property and the type and extent of processing that may be required in order to produce material conforming to the requirements of the Technical Specifications.
- 3-12 The City assumes no responsibility for conclusions or interpretations made by a bidder based on the information or data made available by the City. The City does not assume responsibility for representation made by its officers or agents before the execution of the Agreement concerning surface or subsurface conditions, unless that representation is expressly stated in the Contract Documents.
- 3-13 No conclusions or interpretations made by a bidder from the information and data made available by the City will relieve a bidder from properly fulfilling the terms of the Agreement.

#### **4. PRE-BID COMMUNICATION AND INTERPRETATION OF THE BID PACKAGE**

- 4.1 Any bidder that discovers any apparent conflicts, errors, or ambiguities contained in the bid package or between the contents of the bid package and the Project site, or that has questions or requires clarification concerning the bid package or its intent must be submitted by e-mail as soon as reasonably possible, but no later than three (3) working days before the date specified for bid opening and sent to:

Lorenzo Hernandez

hernandez@coastlandcivil.com

Please note that questions received less than three (3) working days before the time specified for opening bids may not be answered.

- 4.2 Any interpretation, correction or change of the bid package prior to bid opening will be made by addendum signed by an authorized representative of the City and transmitted to all bid package recipients. No other interpretation or information concerning the bid package issued prior to the date specified for opening bids will be binding. All addenda signed by an authorized representative of the City and issued prior to the time and date specified for opening bids will form a part of the contract documents and must be acknowledged on the bid forms. Any changes, exceptions or conditions concerning the Project and/or the bid package submitted by any bidder as part of a bid may render that bid non-responsive.
- 4.3 Inquiries or questions based on alleged patent ambiguity of the plans, specifications or estimate must be communicated as a bidder inquirior to bid opening. Any such inquiries or questions, submitted after bid opening, will not be treated as a bid protest.

**5. PRE-BID ACCESS TO THE PROJECT SITE**

- 5.1 Prior to submitting a bid, it will be the sole responsibility of each bidder to conduct any additional examination, investigation, exploration, testing, study or other inquiry and to obtain any additional information pertaining to the physical conditions (including surface, subsurface, and underground utilities) at or near the Project site that may affect the cost, progress, or performance of the Project, and that the bidder deems are necessary to prepare its bid for performance of the Project in accordance with the bid package and contract documents. Bidders seeking any such additional examination or other inquiries or information concerning the Project will do so at the bidder's sole expense.
- 5.2 Bidders seeking to conduct any additional examination or other inquiry at the Project site must request site access from the City at least two (2) working days in advance. The location of any excavation, boring or other invasive testing will be subject to approval on behalf of the City and any other agencies with jurisdiction over such testing. Bidders may not conduct tests at the Project site prior to obtaining City approval. The City may require bidders to execute an access agreement prior to approving testing at the Project site. Once approved testing is complete, Bidders must fill all trenches or holes, restore all pavement to match existing structural section, and otherwise clean up and restore the test site to its pre-test condition.

**6. BIDDING PROCEDURE**

- 6.1 Bids must be delivered to the City of Wheatland, 111 C Street, Wheatland, California, 95692, no later than the time and date specified in the Notice to Bidders. Bids will be opened and read publicly at that time. Bids that are submitted late according to the official time kept by the Public Works Department will be returned unopened. Telephones for use by bidders are not available at the City offices.
- 6.2 In accordance with California Public Contract Code Section 20170, Bids must be presented under sealed cover. Bids must be submitted using the bid forms furnished with



the bid package. Bids must include all documents listed in the Bidder's Check List completed in accordance with the bid package. Bids must bear the bidder's legal name and be signed by a representative authorized to bind the bidder. Bids must be typed or written in ink. Corrections may be made if initialed by the individual signing the bid. No oral or telegraphic modifications of bids, including facsimile modifications, will be considered. Bids that are incomplete or that are not presented on the bid forms furnished with the bid package may be deemed non-responsive.

- 6.3 Each bid must give the full business address of the bidder. Bids of partnerships must furnish the full name of all partners and must be signed in the partnership name by one of the members of the partnership, or by an authorized representative, followed by the printed name and title of the person signing. Bids of corporations must be signed with the legal name of the corporation, followed by the name of the state of incorporation and by the signature and designation of the president, secretary or other person authorized to bind the corporation. The name of each person signing shall also be typed or printed below the signature. Upon request of the City, bidders will furnish satisfactory evidence of the authority of the person signing the bid. Bids of joint ventures must include a certified copy of the legal agreement constituting the joint venture.
- 6.4 No person, firm, corporation, partnership or legal joint venture may submit more than one bid for the Project. However, a person, firm, corporation, partnership or legal joint venture that has submitted a subcontract proposal to a bidder, or that has quoted prices on materials to a bidder may submit a subcontract proposal, quote prices to other bidders and submit its own bid.
- 6.5 In accordance with California Public Contract Code Section 20170, all bids must include one of the forms of bidder's security specified in the Notice to Bidders in an amount of at least ten (10) per cent of the total of the bid prices for the base bid and those additive or deductive items specifically identified in the Notice to Bidders for the purpose of determining the lowest price bid. Bidders that elect to provide bidder's security in the form of a bid bond must execute a bid bond using the form provided in the bid forms. The bidder's security is tendered as a guarantee that the successful bidder, if awarded the Project contract, will execute and submit to the City all required bonds, certificates of insurance, completed contract forms and other documents listed in the Contract Check List and enter into a contract with the City within ten (10) working days of receipt of the notice of award. The bidder's security of any successful bidder that fails to do so will be forfeited to the City. All bidders' security not forfeited to the City will be returned once a successful bidder provides all required documents and enters a contract with the City in accordance with all applicable bid package requirements. Forfeiture of the bidder's security to the City will not waive or otherwise limit any other remedy available to the City under applicable law.
- 6.6 In accordance with California Business and Professions Code Section 7028.15, Public Contract Code Section 20103.5, and as specified in the Notice to Bidders, all Project work must be performed by properly licensed contractors and subcontractors with active licenses in good standing as of the date and time specified for bid opening, or, if the

Project involves federal funds, no later than the time the Project contract is awarded. Bidders must verify their Contractor's License number and license expiration date on the proposal cover page under penalty of perjury. Bids that do not satisfy applicable licensing requirements will be considered non-responsive and rejected and may subject the bidder to criminal and/or civil penalties.

- 6.7 If the bid forms include a bidder's questionnaire, all bids must include a completed bidder's questionnaire on the forms provided. By submitting a bid, bidders authorize City representatives to verify any and all information provided on the bidder's questionnaire and agree to indemnify, defend and hold harmless the City and its officials, officers, employees, agents and volunteers to full the extent permitted by law from and against any claims, liability or causes of action, including, without limitation, legal fees and costs, arising out of verification of the information provided on the bidder's questionnaire, and/or arising out of use of information provided in the bidder's questionnaire to determine, in accordance with applicable law, the qualification of the bidder for performing the Project.
- 6.8 Bids may be withdrawn prior to the time set for bid opening by a written request signed by an authorized representative of the bidder filed with the City Clerk. The bid security submitted with bids so withdrawn will be returned to the bidder. Bidders that have withdrawn their bid in accordance with this provision may submit a new bid prior to the time set for bid opening in accordance with all applicable bid package requirements. Bids may not be withdrawn during the ninety day period after the time set for bid opening except as permitted by law pursuant to California Public Contract Code Section 5100 and following. Any other bid withdrawal will result in forfeiture of the bidder's bid security to the City.

## **7. BID PROTESTS**

Any protest of the proposed Project award must be submitted in writing to the City no later than 5:00 PM on the third business day following the date of the bid opening.

- 7.1 The protest must contain a complete statement of the basis for the protest.
- 7.2 The protest must state the facts and refer to the specific portion of the document or the specific statute that forms the basis for the protest. The protest must include the name, address, and telephone number of the person representing the protesting party.
- 7.3 The party filing the protest must concurrently transmit a copy of the protest to the proposed awardee.
- 7.4 The party filing the protest must have actually submitted a bid for the Project. A subcontractor of a party filing a bid for the Project may not submit a bid protest. A party may not rely on the bid protest submitted by another bidder, but must timely pursue its own protest.

- 7.5 The procedure and time limits set forth in these Instructions to Bidders are mandatory and are the bidders' sole and exclusive remedy in the event of a bid protest. Any bidder's failure to fully comply with these procedures shall constitute a waiver of any right to further pursue a bid protest, including filing of a challenge of the award pursuant to the California Public Contract Code, filing of a claim pursuant to the California Government Code, or filing of any other legal proceedings.
- 7.6 The City shall review all timely protests prior to award of the Project. The City shall not be required to hold an administrative hearing to consider any protests, but may do so at its option. At the time of the City Council's consideration of the Project award, the City Council shall also consider the merits of any timely protests. The City Council may either reject the protest and award to the lowest responsible bidder or accept the protest and award the bid to the next lowest responsible bidder. Nothing in this section shall be construed as a waiver of the City Council's right to reject all bids.
- 7.7 Inquiries or questions based on alleged patent ambiguity of the plans, specifications or estimate must be communicated as a bidder inquiry prior to bid opening. Any such inquiries or questions, submitted after bid opening, will not be treated as a bid protest.

## **8. AWARD**

- 8.1 In accordance with applicable law, the City reserves the right to reject any or all bids and to waive any informality in any bid. The City reserves the right to accept any portion of any bid, unless the bid package expressly provides that the award will be made as a whole. If the City elects to award a contract for performance of the Project, the contract will be awarded in accordance with California Public Contract Code Section 20162 and other applicable law to the responsible bidder submitting a responsive bid with the lowest total bid price for the base bid and the additive or deductive alternate items listed in the Notice to Bidders. In accordance with the contract documents and other applicable law, the City may add or deduct items of work from the Project after the lowest responsible bidder is determined.
- 8.2 The successful bidder must submit to the City complete, executed copies of all documents specified in the Contract Checklist within ten (10) working days of receiving written notice of award of the Project. Bidder's security of any successful bidder that fails to do so will be forfeited to the City.
- 8.3 The successful bidder and any subcontractors and others engaged in performance of the Project must have valid local business license(s), as applicable, before commencing work on the Project.
- 8.4 Upon verifying that the successful bidder has provided complete, executed copies of all documents specified in the Contract Checklist an authorized City representative will execute the Project contract, and the City will issue to the successful bidder a notice to proceed specifying the Project commencement date. The number of days within which the Project must be complete begins to run on the Project commencement date.

## **9. PRICING**

- 9.1 If an inconsistency exists between the amount listed for a unit price in a bid and the total listed for that bid item (e.g., if the total listed for a bid item does not equal the unit price listed in the bid multiplied by the quantity listed), subject to applicable law, the unit price will be deemed to accurately reflect the bidder's intent concerning the bid item and the intended total for the bid item will be deemed to be the unit price as listed in the bid multiplied by the quantity listed.
- 9.2 If the Project bid price is a lump sum total made up of smaller individual bid item prices and an inconsistency exists between the lump sum total bid price and any individual bid item price, subject to applicable law, the individual bid item prices as listed in the bid will be deemed to accurately reflect the bidder's intended bid for the Project and the intended lump sum total bid for the Project will be deemed to be the sum of the individual bid item prices as listed in the bid, even if that sum is different from the amount actually listed as the lump sum total bid for the Project.
- 9.3 Any federal, state, or local tax payable on articles to be furnished for the Project shall be included in the lump sum total bid price and paid by the Contractor under the contract. The City is exempt from federal excise tax and will provide a certificate of exemption to the successful bidder upon request.

## **10. QUANTITIES**

- 10.1 Quantities, including but not limited to, material or labor quantities, that are provided in the bid package concerning the Project are estimates only and are provided solely as a general indication of the Project scope. The City does not warrant that such quantity estimates provided in the bid package represent the actual quantities required to perform the Project in accordance with the contract documents. Such quantity estimates do not bind the City, and bidders should not rely on them in preparing their bids. Each bidder is solely responsible for determining the quantities on which to base their bids in light of information contained in the bid package, bidder investigation and analysis of the Project and the Project site, and any other analysis or expertise of the bidder concerning the Project.
- 10.2 The City may amend, decrease or increase the Project work in accordance with the bidding package and the contract documents. If the City amends, decreases or increases the Project work prior to award of the Project each bidder will be solely responsible for determining the revised quantities, if any, on which to base their bid in light of information contained in the bid package and any amendments or addenda to the bid package, bidder investigation and analysis of the Project as amended, decreased or increased, the Project site, and any other analysis or expertise of the bidder concerning the Project.

## **11. SUBSTITUTION OF “OR EQUAL” ITEMS**

- 11.1 In accordance with California Public Contract Code Section 3400, where the Technical Specifications or Project Plans list products by manufacturer's name, brand or model number such information indicates the quality and utility of the items desired and does not restrict bidders to that manufacturer's name, brand or model number, unless the Technical Specifications or Project plans specify that the listed product is necessary to match others in use on a particular public improvement either completed or in the course of completion. Except where the Technical Specifications indicate that a particular brand product is necessary to match others in use, when a manufacturer's name, brand or model number is listed, it shall be construed to be followed by the words "or equal" whether or not those words in fact follow the manufacturer's name, brand name or model number listed in the Technical Specifications or Project Plans. Unless the Technical Specifications or Project Plans indicate that a particular brand product is necessary to match others in use, bidders may propose equals of products listed by manufacturer name, brand name or model number.
- 11.2 Complete information for products proposed as equals must be submitted to the City for review by at least ten (10) working days before the time specified for opening bids. To be considered, proposals concerning products proposed as equals must include sufficient information to permit the City to determine whether the products proposed as equals will satisfy the same performance requirements as products listed by manufacturer's name, brand or model number. Such performance requirements may include, but are not limited to, size, strength, function, appearance, ease of maintenance and repair, and useful life requirements. Proposals concerning products proposed as equals that are submitted later than ten (10) working days before the time specified for opening bids will not be considered. Failure to bid products specified by manufacturer name, brand name or model number where the Technical Specifications or Project Plans specify that a particular product is necessary to match others in use, or where no proposal concerning products proposed as equals has been submitted in accordance with this provision may render a bid non-responsive.

## **12. SUBCONTRACTING**

- 12.1 Bids must be in accordance with the requirements of the Subletting and Subcontracting Fair Practices, Act, California Public Contract Code Section 4100 and following. Bids must include a completed list of proposed subcontractors on the form included in the bid package. In accordance with California Public Contract Code Section 4104, completed lists of proposed subcontractors must include the name, business location, the portion (type or trade), and dollar amount of the Project work to be subcontracted for each subcontractor that will perform a portion of the Project work (including special fabrication and installation of a portion of the work) valued in excess of one half of one percent of the total Project bid price. If the Project work includes construction of streets or highways, the completed list of proposed subcontractors must include the subcontractor name, business location, type of work and dollar amount to be

subcontracted for each subcontractor that will perform a portion of the Project work (including special fabrication and installation of a portion of the work) valued in excess of one half of one percent of the total Project bid price, or ten thousand dollars (\$10,000), whichever is greater.

- 12.2 In accordance with California Public Contract Code Section 4106, for any portion of the Project work with a value of more than one half of one percent of the total Project bid price for which no subcontractor is listed, or for which more than one subcontractor is listed, bidders certify by submitting their bids that they are qualified to perform that portion of the Project work and that they will perform that portion of the Project work with their own forces. Bidders may not substitute another subcontractor for a subcontractor listed in their bid except as permitted by the City in accordance with Section 4107 and following of the California Public Contract Code.

### **13. ASSIGNMENT**

Bidders may not assign, sublet, sell, transfer, or otherwise dispose of their bid or any right, title or interest in their bid, or their obligations under their bid, without the written consent of an authorized representative of the City. Any purported assignment, subletting, sale, transfer or other disposition of a bid or any interest in a bid, or of any obligations under a bid without such written consent will be void and of no effect.

### **14. BONDS**

- 14.1 The successful bidder must submit to the City a performance bond within ten (10) working days of receiving written notice of award. If the Project involves expenditures in excess of twenty five thousand dollars (\$25,000), the successful bidder must submit to the City a payment or labor and materials bond within ten (10) working days of receiving written notice of award. Prior to issuance of the final Project payment, the successful bidder must submit a maintenance bond. All bonds must be executed by corporate sureties who are admitted surety insurers in the State of California in accordance with applicable law and acceptable to the City. Individual sureties will not be accepted. All Project bonds must be executed using the forms provided in the bid package.
- 14.2 In accordance with California Civil Code Section 3247, the payment or labor and materials bond must be in the amount of one hundred percent of the total amount payable by the terms of the Project contract and guarantee payment to persons listed in California Civil Code Section 3181 for work performed and for charges for materials, supplies, and equipment provided under the Project contract (including amounts due under or subject to the Unemployment Insurance Code) in accordance with the requirements of California Civil Code Section 3248.
- 14.3 The performance bond must be in the amount of one hundred percent of the amount payable by the terms of the Project contract to guarantee the faithful performance of the Project work.

14.4 The maintenance bond must be in the amount of ten percent of the final Project contract amount and guaranty the Project work against defects in materials, equipment, workmanship, or needed repair for one year from the City's acceptance of the Project work.

## **15. LABOR LAWS**

15.1 Bidders must comply with applicable provisions of the California Labor Code.

15.2 In accordance with California Labor Code Section 1861, bids must include a workers compensation insurance certification on the form included in the bid package.

15.3 In accordance with California Labor Code Section 1771, not less than the general prevailing rate of per diem wages for work of a similar character in the locality in which the Project is to be performed, and not less than the general prevailing rate of per diem wages for holiday and overtime work fixed as provided in the California Labor Code shall be paid to all workers engaged in performing the Project.

15.4 In accordance with California Labor Code Section 1770 and following, the Director of Industrial Relations has determined the general prevailing wage per diem rates for work in the locality in which the Project is to be performed. In accordance with California Labor Code Section 1773, the City has obtained the general prevailing rate of per diem wages and the general rate for holiday and overtime work in the locality in which the Project is to be performed for each craft, classification or type of worker needed to perform the Project. In accordance with California Labor Code Section 1773.2, copies of the prevailing rate of per diem wages are on file at the Public Works offices and will be made available on request.

15.5 In accordance with California Labor Code Section 1777.1, contractors and subcontractors that are found guilty of willfully violating Chapter 1 of Part 7 of Division 2 of the Labor Code (except for Section 1777.5), or that are found guilty of such violations with intent to defraud, and entities in which such contractors or subcontractors have any interest, may be ineligible to bid on, be awarded, or perform Project work as a subcontractor.

## **BIDDER'S CHECK LIST**

Did You:

- Submit equal product proposals, if any, in accordance with the instructions to bidders included in the bid package at least 10 working days before the time specified for opening bids, and have said substitutions approved in writing.
- Include a copy of the approved submittal.
- Verify that the following documents in the bid book have been properly completed:
  - Bidder's check list.
  - Proposal and Schedule of Bid Prices that state the bid as intended.
  - Copies of each addendum issued signed and dated on behalf of the bidder.
  - Executed bid bond.
  - Contractor license information.
  - List of subcontractors.
  - Non Collusion Affidavit.
  - Workers compensation insurance certification.
  - Signed and notarized non-collusion affidavit.
  - California Debarment Certification.
  - Bidder's questionnaire, if any.
  - Executed bidder's signature page.
- Arrange to have the sealed bid delivered to the City of Wheatland at 111 C Street Street, Wheatland, California 95692 on or before the time specified for bid opening in the notice inviting bids.



# PROPOSAL

**For: The City of Wheatland, Yuba County, California**

TO THE HONORABLE CITY COUNCIL  
OF THE CITY OF WHEATLAND

The undersigned, as bidder, declares that it has carefully examined the work, the annexed proposed form of contract, and agrees that if this Proposal is accepted to contract with the City of Wheatland, under the form of contract annexed hereto, to provide all the necessary tools, apparatus, and other means of accomplishing the work as specified in the contract in the manner and time herein prescribed, and in accordance with the requirements of the Public Works Department as therein set forth, and to take in full payment thereof the following prices of the work to be done completely performed to the satisfaction of the City of Wheatland, to-wit:

## Contractor's Bid Proposal Forest Glen Station Rehabilitation Project City of Wheatland

### Forest Glen Station Rehabilitation Project Estimate

Item No.	Item Description	Estimated Quantity	Unit of Measure	Unit Cost (in figures)	Total Cost (in figures)
1	Remove and replace old guide bars with two stainless steel guide bars per pump, stainless steel upper guide bar brackets, stainless steel intermediate guide bar brackets and stainless steel lifting cables.	2	EA		
2	Replace four-inch diameter ductile iron pipe, with class 125 Flange and compression couplings.	2	EA		
3	4" x 4" Discharge elbows	2	EA		
4	Remove and replace four-inch Gate Valve	2	EA		
5	Remove and replace four-inch Check Valve ( Swing Type)	2	EA		
6	Remove and Replace two four-inch discharge Flygt NP-3102 pumps with chopper impellers with 60 HRC hardness, and 5HP 3 phase motor with stainless steel lifting bails.	2	EA		

7	Four-inch by-pass connection which includes a four-inch wye, four inch gate valve and a four-inch quick connect for connection on the force main in the existing valve box	1	EA		
			Total - Base Bid		

**Dollars**

**Base Bid - Written Amount**

The undersigned further agrees to deliver and to complete the work within **forty five (45) working days**, from the date of issuance, by the City, of Notice to Proceed with the work, and within 10 working days of the date of mailing of the notice of award, to enter into and execute and provide to the City the necessary contract with the necessary bonds and other required documents, and in case of default in executing the necessary contract within the time fixed by the Instructions to Bidders, the bidder's security accompanying this bid shall become the property of and be forfeited to the City of Wheatland.

Prime Contractor \_\_\_\_\_

License # \_\_\_\_\_ Expiration Date \_\_\_\_\_

Contractors License number and expiration date are herein stated under penalty of perjury.

By: \_\_\_\_\_ Title: \_\_\_\_\_

Dated this \_\_\_\_\_ day of \_\_\_\_\_, 20\_\_\_\_\_

(Corporate Seal)

Corporate Signature

\_\_\_\_\_

Address: \_\_\_\_\_

Phone No.: \_\_\_\_\_

President's signature \_\_\_\_\_

Secretary's signature \_\_\_\_\_

Corporation organized under the laws of the State of \_\_\_\_\_

Partnership Name: \_\_\_\_\_

Address: \_\_\_\_\_

Names of Co-Partners and Addresses: \_\_\_\_\_

\_\_\_\_\_

\_\_\_\_\_

Names of Individuals and Addresses: \_\_\_\_\_

\_\_\_\_\_

\_\_\_\_\_

NOTE: Sign in proper space above.

**CITY OF WHEATLAND**  
111 C Street  
Wheatland, California 95692

**BID BOND**

*(NOTE: Bidders must use this form, use of any other bond form may render a bid non-responsive)*

KNOW ALL MEN BY THESE PRESENTS:

That we, as PRINCIPAL, and \_\_\_\_\_, a (sole proprietorship/corporation/partnership/joint venture) organized and existing under and by virtue of the laws of the State of \_\_\_\_\_ and an admitted surety insurer authorized to do business in the State of California, as SURETY, are held and firmly bound unto the City of Wheatland, as OBLIGEE, in a penal sum equal to ten-percent (10%) the total bid price including the base bid and alternates specified in the proposal of the PRINCIPAL, to the OBLIGEE for the work described below, which penal sum is \_\_\_\_\_ (\$\_\_\_\_\_)

lawful money of the United States of America, for the payment of which sum well and truly to be made, we, and each of us, bind ourselves, our heirs, executors, administrators, successors, and assigns, jointly and severally, firmly by these presents.

THE CONDITION OF THIS OBLIGATION IS SUCH that whereas the PRINCIPAL has submitted the accompanying proposal dated \_\_\_\_\_, \_\_\_\_\_ to the OBLIGEE, for the **Forest Glen Lift Station Rehabilitation Project**, designated as the “Project”) which proposal is hereby made a part hereof;

NOW THEREFORE, if the PRINCIPAL shall not withdraw said proposal within the ninety (90) day period following the opening of bids, and if the PRINCIPAL receives written notice that the Project is awarded to the PRINCIPAL and shall, within ten (10) calendar days of receiving such notice: enter into a written contract with the OBLIGEE in the form prescribed in the bid package issued by the OBLIGEE concerning the Project; and give insurance and bond with good and sufficient sureties guaranteeing the faithful performance and proper fulfillment of such contract and guaranteeing payment for labor and materials used for performance of the contract as required by law; and file with the OBLIGEE all required documents and do all other thing required in accordance with the bid package issued by the OBLIGEE concerning the Project for the contract between the PRINCIPAL and the OBLIGEE to become effective and for work to commence in accordance with the bid package issued by the OBLIGEE concerning the Project , or, in the event of withdrawal of the accompanying proposal within the ninety (90) day period following the opening of bids; or failure by the PRINCIPAL to enter into such contract with the OBLIGEE or to give the OBLIGEE such bonds or to file any other documents or to do any other things required in the bid package issued by the OBLIGEE for the Project, if the PRINCIPAL shall pay the OBLIGEE the difference between the total bid price in the accompanying proposal and the amount for which the OBLIGEE may procure the required performance, if the latter

amount be in excess of the former, together with all costs incurred by the OBLIGEE in again attempting to let the Project, and if the said PRINCIPAL shall fully reimburse and save harmless the OBLIGEE from any damage sustained by the OBLIGEE through failure of the PRINCIPAL to enter into the written contract or to file the required performance or labor and material bonds, or to file any other required documents or to do any other things required for the contract between the PRINCIPAL and the OBLIGEE to become effective and the work to commence in accordance with the bid package issued by the OBLIGEE concerning the Project, then this obligation shall be null and void; otherwise, it shall be and remain in full force and effect.

SURETY, for value received, hereby stipulates and agrees that no change, extension of time, alteration or addition to the terms of the bid or contract documents for the Project, or to the specifications included in the same, or to the work to be performed thereunder, or to the notice to bidders, or to any other documents concerning the Project, shall in anywise affect SURETY's obligation under this bond, and SURETY hereby waives notice of any such change, extension of time, alteration or addition to such bid or contract documents.

In the event suit is brought upon this bond by the OBLIGEE and judgment is recovered, the SURETY shall pay all costs incurred by the OBLIGEE in such suit, including a reasonable attorney's fee to be fixed by the Court.

IN WITNESS WHEREOF, the above-bound parties have executed this instrument under their several seals this \_\_\_\_\_ day of \_\_\_\_\_, \_\_\_\_\_, the name and corporate seals of each corporate party being hereto affixed and these presents duly signed by their undersigned representatives, pursuant to authority of their governing bodies.

(Corporate Seal)

PRINCIPAL \_\_\_\_\_  
By \_\_\_\_\_

(Acknowledgement)

Title \_\_\_\_\_  
SURETY \_\_\_\_\_  
(Corporate Seal)

By \_\_\_\_\_  
(Attorney-in-fact)

(Acknowledgement)

Title \_\_\_\_\_

*(NOTE TO SURETY COMPANY: A certified copy of unrevoked resolution of authority for the attorney-in-fact must be submitted with and attached to the executed bid bond.)*

**CONTRACTOR LICENSE INFORMATION**

The bidder acknowledges that a license is required for performance of Forest Glen Lift Station Rehabilitation Project.

The bidder holds the following California Contractors License(s):

- 1. License No. \_\_\_\_\_, Class \_\_\_\_\_, Expiration Date \_\_\_\_\_
- 2. License No. \_\_\_\_\_, Class \_\_\_\_\_, Expiration Date \_\_\_\_\_
- 3. License No. \_\_\_\_\_, Class \_\_\_\_\_, Expiration Date \_\_\_\_\_
- 4. License No. \_\_\_\_\_, Class \_\_\_\_\_, Expiration Date \_\_\_\_\_
- 5. License No. \_\_\_\_\_, Class \_\_\_\_\_, Expiration Date \_\_\_\_\_
- 6. License No. \_\_\_\_\_, Class \_\_\_\_\_, Expiration Date \_\_\_\_\_
- 7. License No. \_\_\_\_\_, Class \_\_\_\_\_, Expiration Date \_\_\_\_\_
- 8. License No. \_\_\_\_\_, Class \_\_\_\_\_, Expiration Date \_\_\_\_\_
- 9. License No. \_\_\_\_\_, Class \_\_\_\_\_, Expiration Date \_\_\_\_\_
- 10. License No. \_\_\_\_\_, Class \_\_\_\_\_, Expiration Date \_\_\_\_\_

Bidder's Taxpayer Identification No. \_\_\_\_\_

## LIST OF SUBCONTRACTORS

In accordance with the requirements of the Subletting and Subcontracting Fair Practices Act, California Public Contract Code Section 4100 and following, listed below are the name, business location, and the portion (type or trade) of the Project work to be subcontracted to each subcontractor that will perform a portion of the Project work (including special fabrication and installation of a portion of the work) valued in excess of one half of one percent of the total bid price. If the Project work includes construction of streets or highways, listed below are the name, business location, and the portion (type or trade) of the Project Work to be subcontracted to each subcontractor that will perform a portion of the Project work (including special fabrication and installation of a portion of the work) valued in excess of one half of one percent of the total Project bid price, or ten thousand dollars, whichever is greater. Also listed below are the proposed subcontract dollar amount and current California Contractor's License Number(s) for each proposed subcontractor. Bids that fail to include complete proposed subcontractor information in accordance with this form and Public Contract Code Section 4100 and following may be deemed non-responsive.

In accordance with California Public Contract Code Section 4106, for any portion of the Project work with a value of more than one half of one percent of the total bid price for which no subcontractor is listed, or for which more than one subcontractor is listed, the bidder certifies by submission of its bid that the bidder is qualified to perform that portion of the Project work and that the bidder will perform that portion of the Project work with its own forces. The penalties listed in California Public Contract Code Section 4111 will apply to any substitution of another subcontractor for a subcontractor listed below except as permitted by the City in accordance with Section 4107 and following of the California Public Contract Code.

1. Subcontractor Name \_\_\_\_\_  
Business Location \_\_\_\_\_  
Trade \_\_\_\_\_  
Subcontract Amount \_\_\_\_\_  
Current Contractor's License No.(s) \_\_\_\_\_
2. Subcontractor Name \_\_\_\_\_  
Business Location \_\_\_\_\_  
Trade \_\_\_\_\_  
Subcontract Amount \_\_\_\_\_  
Current Contractor's License No.(s) \_\_\_\_\_
3. Subcontractor Name \_\_\_\_\_  
Business Location \_\_\_\_\_  
Trade \_\_\_\_\_  
Subcontract Amount \_\_\_\_\_  
Current Contractor's License No.(s) \_\_\_\_\_
4. Subcontractor Name \_\_\_\_\_  
Business Location \_\_\_\_\_  
Trade \_\_\_\_\_  
Subcontract Amount \_\_\_\_\_  
Current Contractor's License No.(s) \_\_\_\_\_

5. Subcontractor Name \_\_\_\_\_  
Business Location \_\_\_\_\_  
Trade \_\_\_\_\_  
Subcontract Amount \_\_\_\_\_  
Current Contractor's License No.(s) \_\_\_\_\_
6. Subcontractor Name \_\_\_\_\_  
Business Location \_\_\_\_\_  
Trade \_\_\_\_\_  
Subcontract Amount \_\_\_\_\_  
Current Contractor's License No.(s) \_\_\_\_\_
7. Subcontractor Name \_\_\_\_\_  
Business Location \_\_\_\_\_  
Trade \_\_\_\_\_  
Subcontract Amount \_\_\_\_\_  
Current Contractor's License No.(s) \_\_\_\_\_
8. Subcontractor Name \_\_\_\_\_  
Business Location \_\_\_\_\_  
Trade \_\_\_\_\_  
Subcontract Amount \_\_\_\_\_  
Current Contractor's License No.(s) \_\_\_\_\_
9. Subcontractor Name \_\_\_\_\_  
Business Location \_\_\_\_\_  
Trade \_\_\_\_\_  
Subcontract Amount \_\_\_\_\_  
Current Contractor's License No.(s) \_\_\_\_\_
10. Subcontractor Name \_\_\_\_\_  
Business Location \_\_\_\_\_  
Trade \_\_\_\_\_  
Subcontract Amount \_\_\_\_\_  
Current Contractor's License No.(s) \_\_\_\_\_



## WORKERS COMPENSATION INSURANCE CERTIFICATION

By submitting its bid the bidder certifies as follows:

I am aware of the provisions of California Labor Code Section 3700, which require every employer to be insured against liability for workmen's compensation or to undertake self-insurance in accordance with the provisions of the Labor Code, and I will comply with such provisions before commencing performance of the work of this Contract.

**NON-COLLUSION AFFIDAVIT  
TO BE EXECUTED BY BIDDER  
AND SUBMITTED WITH BID**

(Title 23 United States Code Section 112 and  
Public Contract Code Section 7106)

STATE OF CALIFORNIA    )  
  )  
COUNTY OF Yuba         )

In accordance with Title 23 United States Code Section 112 and Public Contract Code 7106 \_\_\_\_\_, being first duly sworn, deposes and says that he or she is \_\_\_\_\_ of \_\_\_\_\_, the party making the foregoing bid, that the bid is not made in the interest of, or on behalf of, any undisclosed person, partnership, company, association, organization, or corporation; that the bid is genuine and not collusive or sham; that the bidder has not directly or indirectly induced or solicited any other bidder to put in a false or sham bid, and has not directly or indirectly colluded, conspired, connived, or agreed with any bidder or anyone else to put in a sham bid, or that anyone shall refrain from bidding; that the bidder has not in any manner, directly or indirectly, sought by agreement, communication, or conference with anyone to fix the bid price of the bidder or any other bidder, or to fix any overhead, profit, or cost element of the bid price, or of that of any other bidder, or to secure any advantage against the public body awarding the contract of anyone interested in the proposed contract; that all statements contained in the bid are true; and, further, that the bidder has not, directly or indirectly, submitted his or her bid price or any breakdown thereof, or the contents thereof, or divulged information or data relative thereto, or paid, and will not pay, any fee to any corporation, partnership, company, association, organization, bid depository, or to any member or agent thereof to effectuate a collusive or sham bid.

\_\_\_\_\_  
Signature of Bidder

Subscribed and sworn before me by \_\_\_\_\_, this \_\_\_\_\_ day  
of \_\_\_\_\_, \_\_\_\_\_.

(SEAL)

\_\_\_\_\_  
Notary Public

## **DEBARMENT CERTIFICATION**

By submitting its bid, the bidder certifies in accordance with California Public Contract Code Section 6109 that neither the bidder nor any subcontractor included on the list of proposed subcontractors submitted with the bid is ineligible to perform work on public works projects pursuant to California Labor Code Sections 1777.1 or 1777.7. In accordance with California Public Contract Code Section 6109, Contractors and subcontractors who are ineligible to perform work on public works projects pursuant to California Labor Code Sections 1777.1 or 1777.7 may neither bid on, be awarded or perform as a subcontractor on public works projects.

## **DEBARMENT AND SUSPENSION CERTIFICATION**

### TITLE 49, CODE OF FEDERAL REGULATIONS, PART 29

The bidder, under penalty of perjury, certifies that, except as noted below, he/she or any other person associated therewith in the capacity of owner, partner, director, officer, and manager:

- Is not currently under suspension, debarment, voluntary exclusion, or determination of ineligibility by any federal agency;
- Has not been suspended, debarred, voluntarily excluded or determined ineligible by any federal agency within the past 3 years;
- Does not have a proposed debarment pending; and
- Has not been indicted, convicted, or had a civil judgment rendered against it by a court of competent jurisdiction in any matter involving fraud or official misconduct within the past 3 years.

If there are any exceptions to this certification, insert the exceptions in the following space.

Exceptions will not necessarily result in denial of award, but will be considered in determining bidder responsibility. For any exception noted above, indicate below to whom it applies, initiating agency, and dates of action.

Notes: Providing false information may result in criminal prosecution or administrative sanctions. The above certification is part of the Proposal. Signing this Proposal on the signature portion thereof shall also constitute signature of this Certification.

## **PUBLIC CONTRACT CODE SECTION 10285.1 STATEMENT**

In accordance with Public Contract Code Section 10285.1 (Chapter 376, Stats, 1986), The bidder hereby declares under penalty of perjury under the laws of the State of California that the bidder has \_\_\_\_\_, has not \_\_\_\_\_ been convicted within the preceding three years of any offenses referred to in that section, including any charge of fraud, bribery, collusion, conspiracy, or any other act in violation of any state or federal antitrust law in connection with the bidding upon, award of, or performance of, any public works contract, as defined in Public Contract Code Section 1100, including the Regents of the University of California or the Trustees of the California State University. The term "bidder" is understood to include any partner, member, officer, director, responsible managing officer, or responsible managing employee thereof, as referred to in Section 10285.1.

Note: The bidder must place a check mark after "has" or "has not" in one of the blank spaces provided.

The above Statement is part of the Proposal. Signing the Contractor's Proposal on the signature portion thereof shall also constitute signature of this Statement.

Bidders are cautioned that making false certification may subject the certifier to criminal prosecution.

**PUBLIC CONTRACT CODE SECTION 10162 QUESTIONNAIRE**

In accordance with Public Contract Code Section 10162, The Bidder shall complete, under penalty of perjury, the following questionnaire:

Has the bidder, any officer of the bidder, or any employee of the bidder who has a proprietary interest in the bidder, ever been disqualified, removed, or otherwise prevented from bidding on, or completing a federal, state, or local government project because of a violation of law or a safety regulation?

Yes \_\_\_\_\_ No \_\_\_\_\_

If the answer is "Yes", explain the circumstances in the following space.

## **PUBLIC CONTRACT SECTION 10232 STATEMENT**

In accordance with Public Contract Code Section 10232, the Contractor hereby states under penalty of perjury that no more than one final unappealable finding of contempt of court by a federal court has been issued against the Contractor within the immediately preceding two year period because of the Contractor's failure to comply with an order of a federal court which orders the Contractor to comply with an order of the National Labor Relations Board.

**BIDDER'S SIGNATURE PAGE**

By signing this proposal the bidder certifies, under penalty of perjury under the laws of the State of California, that the information submitted with this proposal for the 2014 Main Street Alley Storm Drain Replacement Project, which information includes, but is not limited to, the Bidder's Check List, Proposal and Schedule of Bid Prices, Bid Bond, Contractor License Information, List of Subcontractors, Workers Compensation Insurance Certification, Non-collusion Affidavit, Debarment Certification, Debarment and Suspension Certification, Public Contract Code Section 10285.1 Statement, Public Contract Code Section 10162 Questionnaire, Public Contract Code Section 10232 Statement and Bidder's Questionnaire, if any, is accurate, true and correct, and is submitted in accordance with the requirements of the bid package issued by the City of Wheatland concerning Project and applicable law. By signing this proposal the bidder representative specified below certifies that he or she is legally authorized to bind the bidder.

The bidder agrees to deliver and to complete the Project within **forty five (45) working days** from the date of issuance, by the Public Works Department, of instructions to proceed with the Project, and within 10 working days of the date of mailing of the notice of award, to enter into and execute and provide to the City the Project contract, bonds and all other documents specified in the Contract Check List included in the bid package, and in case of default in executing the Project contract within the time fixed by the Instructions to Bidders, the bidder's security accompanying this bid shall become the property of and be forfeited to the City of Wheatland.

Prime Contractor \_\_\_\_\_

By: \_\_\_\_\_ Title: \_\_\_\_\_

Dated this \_\_\_\_\_ day of \_\_\_\_\_, 20\_\_\_\_\_

(Corporate Seal)

Corporate signature

\_\_\_\_\_

Address: \_\_\_\_\_

Phone No.: \_\_\_\_\_

President's signature \_\_\_\_\_

Secretary's signature \_\_\_\_\_

Corporation organized under the laws of the State of \_\_\_\_\_

Partnership Name: \_\_\_\_\_

Address: \_\_\_\_\_

Names of Co-Partners and Addresses:



---

---

---

Names of Individuals and Addresses:

---

---

---

NOTE: Sign in proper space above.

Date: \_\_\_\_\_

\_\_\_\_\_  
(Typed or printed name)

\_\_\_\_\_  
(Signature)

\_\_\_\_\_  
(Bidder)

Bidder business address (street, city, state and zip code)

---

---

Bidder Business phone: ( ) \_\_\_\_\_

Bidder Business fax: ( ) \_\_\_\_\_

## CONTRACT CHECK LIST

Complete, accurate, executed copies of the following documents must be submitted to the City of Wheatland in accordance with the bid package issued by the City within ten (10) working days of receiving written notice of award of the project. The bidder's security of any successful bidder that fails to do so will be forfeited to the City.

- \_\_\_\_\_ Contract Check List
  
- \_\_\_\_\_ Agreement
  
- \_\_\_\_\_ Performance Bond
  
- \_\_\_\_\_ Payment Bond
  
- \_\_\_\_\_ Certificates of Insurance and Endorsements
  
- \_\_\_\_\_ Escrow for Deposit Agreement, if applicable
  
- \_\_\_\_\_ General Conditions

## AGREEMENT

The City of Wheatland, (“City”) enters into this agreement, dated for reference purposes only, with \_\_\_\_\_ (“Contractor”).

### RECITALS

- A. NOTICE INVITING BIDS. The City gave notice inviting bids to be submitted by \_\_\_\_\_ for the Forest Glen Lift Station Rehabilitation Project by published notice and/or posting in accordance with California Public Contract Code Section 20164 and other applicable law.
- B. BID OPENING. On \_\_\_\_\_, 2017 City representatives opened the bids for the \_\_\_\_\_ Project and read the bids aloud.
- C. PROJECT AWARD. On \_\_\_\_\_, 2017, the City Council awarded the Forest Glen Lift Station Rehabilitation Project to the Contractor and directed City staff to send the Contractor written notice of award of the project. The City Council conditioned award of the project on the Contractor’s providing executed copies of all documents specified in the contract check list included in the bid package within ten (10) working days of receiving written notice of award of the project.
- D. REQUIRED DOCUMENTS. The Contractor has provided the City executed copies of all documents specified in the contract check list included in the bid package within ten (10) working days of receiving written notice of award.

### AGREEMENT TERMS

The City and the Contractor agree as follows:

1. THE WORK. The Contractor shall furnish all equipment, tools, apparatus, facilities, material labor, and skill necessary to perform and complete in a good and workmanlike manner the Forest Glen Lift Station Rehabilitation Project (“Work”) as shown in the Technical Specifications and Project Plans in accordance with the Contract Documents and applicable law.
2. LOCATION OF WORK. The Work will be performed at the following location:  
Wheatland, California
3. TIME FOR COMPLETION. The Contractor must complete the Work in accordance with the Contract Documents within **forty five (45)** working days from the date specified in the City’s Notice to Proceed (“Time for Completion”).

4. REMEDIES FOR FAILURE TO TIMELY COMPLETE THE WORK. If the Contractor fails to fully perform the Work in accordance with the Contract Documents by the Time for Completion, as such time may be amended by change order or other modification to this agreement in accordance with its terms, and/or if the Contractor fails, by the Time for Completion, to fully perform all of the Contractor's obligations under this agreement that have accrued by the Time for Completion, the Contractor will become liable to the City for all resulting loss and damage in accordance with the Contract Documents and applicable law. The City's remedies for the Contractor's failure to perform include, but are not limited to, assessment of liquidated damages of **\$500 per day** in accordance with California Government Code Section 53069.85 and Section 7-1.02 of the General Provisions, and/or obtaining or providing for substitute performance in accordance with the Contract Documents.
  
5. CONTRACT PRICE AND PAYMENT. As full compensation in consideration of completion of the Work in accordance with the Contract Documents and in consideration of the fulfillment of all of the Contractor's obligations under the Contract Documents, the City will pay the Contractor in lawful money of the United States the total price of \$\_\_\_\_\_ (the "Contract Price") as specified in the Contractor's completed Bid Schedule dated \_\_\_\_\_, \_\_\_\_\_, and attached to and incorporated in this agreement. Payment to the Contractor under this agreement will be for Work actually performed in accordance with the Contract Documents and will be made in accordance with the requirements of the Contract Documents and applicable law. The City will have no obligation to pay the Contractor any amount in excess of the Contract Price unless this agreement is first modified in accordance with its terms. The City's obligation to pay the Contractor under this agreement is subject to and may be offset by charges that may apply to the Contractor under this agreement. Such charges include but are not limited to, charges for liquidated damages and/or substitute performance in accordance with the Contract Documents.
  
6. PREVAILING WAGES. In accordance with California Labor Code Section 1771, not less than the general prevailing rate of per diem wages for work of a similar character in the locality in which the Work is to be performed, and not less than the general prevailing rate of per diem wages for holiday and overtime work fixed as provided in the California Labor Code must be paid to all workers engaged in performing the Work. In accordance with California Labor Code Section 1770 and following, the Director of Industrial Relations has determined the general prevailing wage per diem rates for the locality in which the Work is to be performed. In accordance with California Labor Code Section 1773, the City has obtained the general prevailing rate of per diem wages and the general rate for holiday and overtime work in the locality in which the Work is to be performed for each craft, classification or type of worker needed to perform the project. In accordance with California Labor Code Section 1773.2, copies of the prevailing rate of per diem wages are on file at the City Public Works Department and will be made available on request. Throughout the performance of the Work the Contractor must comply with all provisions of the Contract Documents and all applicable laws and regulations that apply to wages earned in performance of the Work.

7. THE CONTRACT DOCUMENTS. This agreement consists of the following documents (“Contract Documents”), all of which are incorporated into and made a part of this agreement as if set forth in full. In the event of a conflict between or among the Contract Documents, precedence will be in the following order:
- 7.1 This agreement and change orders and other amendments to this agreement signed by authorized representatives of the City and the Contractor.
  - 7.2 The General Provisions and change orders and other amendments to the General Conditions signed by authorized representatives of the City and the Contractor.
  - 7.3 The Special Provisions, addenda to the Special Provisions signed by authorized representatives of the City and issued prior to bid opening, Equal Product Proposals accepted by the City and signed by authorized City representatives prior to bid opening, and change orders and other amendments to the Technical Specifications signed by authorized representatives of the City and the Contractor.
  - 7.4 The Project Plans, addenda to the Project Plans signed by authorized representatives of the City and issued prior to bid opening, Equal Product Proposals accepted by the City and signed by authorized City representatives prior to bid opening, and change orders and other amendments to the Project Plans signed by authorized representatives of the City and the Contractor.
  - 7.5 Notice Inviting Bids.
  - 7.6 Instructions to Bidders.
  - 7.7 The successful bidder’s completed Proposal Form and Bidder’s Sheet.
  - 7.8 The successful bidder’s completed Contractor License Information.
  - 7.9 The successful bidder’s completed List of Proposed Subcontractors.
  - 7.10 The successful bidder’s Workers Compensation Insurance Certification.
  - 7.11 The successful bidder’s completed Non-collusion Affidavit.
  - 7.12 The successful bidder’s Debarment Certification.
  - 7.13 The successful bidder’s completed Certificates of Insurance and Endorsements.
  - 7.14 The successful bidder’s executed Performance Bond.
  - 7.15 The successful bidder’s executed Payment Bond.
  - 7.16 Executed Escrow for Deposit Agreement, if applicable.

- 7.17 Change Order Form.
- 7.18 The Maintenance Bond form included in the bid package that the Contractor must execute prior to release of final payment under the Contract.
- 7.19 The successful bidder's Qualification Statement, if any.
- 7.20 The successful bidder's signed Signature Form.
8. PROVISIONS INCORPORATED BY REFERENCE. Provisions or parts of provisions that are incorporated by reference and not set forth at length in any of the Contract Documents will only form a part of this Agreement to the extent the Contract Documents expressly make such provisions or parts of provisions a part of this Agreement. For example, published public works agreement provisions, such as those of the State of California Department of Transportation Standard Specifications (known as the Standard Specifications) are only a part of this Agreement to the extent expressly incorporated in this Agreement by section number, and references in the Standard Specifications incorporated by reference to other Standard Specifications do not make such other Standard Specifications a part of this Agreement. When such published provisions are made a part of this Agreement, references in the published provisions to other entities, such as the State, the Agency, or similar references, will be deemed references to the City as the context of this Agreement may require.
9. INTERPRETATION OF CONTRACT DOCUMENTS. Any question concerning the intent or meaning of any provision of the Contract Documents, including, but not limited to, the Technical Specifications or Project Plans, must be submitted to the Public Works Department, for issuance of an interpretation and/or decision by an authorized Public Works Department representative in accordance with the requirements of the Contract Documents. Interpretations or decisions by any other person concerning the Contract Documents will not be binding on the City. The decision of an authorized Public Works Department representative shall be final.
10. ASSIGNMENT PROHIBITED. The Contractor may not assign part or all of this agreement, or any moneys due or to become under this agreement, or any other right or interest of the Contractor under this agreement, or delegate any obligation or duty of the Contractor under this agreement without the prior written approval of an official authorized to bind the City and an authorized representative of Contractor's surety or sureties. Any such purported assignment or delegation without such written approval on behalf of the City and the Contractor's sureties will be void and a material breach of this agreement subject to all available remedies under this agreement and at law and equity.
11. CERTIFICATION RE CONTRACTOR'S LICENSE. By signing this Agreement the Contractor certifies that the Contractor holds a valid **Type A and/or C34 license** issued by the California State Contractors Licensing Board, and that the Contractor understands that failure to maintain its license in good standing throughout the performance of the

Work may result in discipline and/or other penalties pursuant to the California Business and Professions Code, and may constitute a material breach of this agreement subject to all available remedies under this agreement and at law and equity.

12. SEVERABILITY. If any term or provision or portion of a term or provision of this Agreement is declared invalid or unenforceable by any court of lawful jurisdiction, then the remaining terms and provisions or portions of terms or provisions will not be affected thereby and will remain in full force and effect.

Executed on \_\_\_\_\_, \_\_\_\_\_, by

CONTRACTOR

CITY OF WHEATLAND

\_\_\_\_\_

\_\_\_\_\_

By: \_\_\_\_\_

By: \_\_\_\_\_

Title: \_\_\_\_\_

Title: \_\_\_\_\_

[Attach Notary Page]

Attest:

By: \_\_\_\_\_

Approved as to Form:

By: \_\_\_\_\_

City Attorney

**PERFORMANCE BOND**

*(NOTE: Bidders must use this form, use of any other bond form may render a bid non-responsive)*

KNOW ALL MEN BY THESE PRESENTS:

WHEREAS the City Council of the City of Wheatland has awarded to \_\_\_\_\_ (designated as the “PRINCIPAL”) a contract for the **Forest Glen Lift Station Rehabilitation Project**, which contract and all of the contract documents as defined therein (designated as the “Contract”) are hereby made a part hereof; and

WHEREAS, said PRINCIPAL is required under the terms of the Contract to furnish a bond for the faithful performance of the Contract;

NOW, THEREFORE, WE, the PRINCIPAL and \_\_\_\_\_ as surety (designated as “SURETY”), an admitted surety insurer authorized to do business in the State of California, are held and firmly bound unto the City (designated as “OBLIGEE”), in the penal sum of \_\_\_\_\_ dollars (\$ \_\_\_\_\_), lawful money of the United States for the payment of which sum well and truly to be made, we bind ourselves, our heirs, executors, and administrators, and successors, jointly and severally, firmly by these presents.

THE CONDITION OF THIS OBLIGATION IS SUCH that, if the above bound PRINCIPAL, his or its heirs, executors, administrators, successors, or assigns, shall in all things stand to and abide by, and well and truly keep and perform the covenants, conditions and agreements in the Contract and any alteration thereof made as therein provided, on his or their part to be kept and performed at the time and in the manner therein specified and in all respects according to their true intent and meaning, and shall defend, indemnify and save harmless the OBLIGEE, it’s officials, officers, employees, volunteers and agents, as therein stipulated, then this obligation shall become null and void, otherwise it shall be and remain in full force and virtue.

And the said SURETY, for value received, hereby stipulates and agrees that no change, extension of time, alteration or addition to the terms of the Contract or to the work to be performed thereunder or to the specifications or the plans accompanying the same or to any other part of the contract documents, as defined therein, shall in any way affect said SURETY’s obligation on this bond, and the SURETY does hereby waive notice of any such change, extension of time, alteration or addition.

And the said SURETY, for value received, hereby stipulates and agrees that upon termination of the Contract for cause, the OBLIGEE reserves the right to refuse tender of the PRINCIPAL by the SURETY to complete the Contract work.



IN WITNESS WHEREOF, the above-bound parties have executed this instrument under their several seals this \_\_\_\_\_ day of \_\_\_\_\_, \_\_\_\_\_, the name and corporate seals of each corporate party being hereto affixed and these presents duly signed by their undersigned representatives, pursuant to authority of their governing bodies.

(Corporate Seal) PRINCIPAL \_\_\_\_\_

By \_\_\_\_\_

(Acknowledgment) Title \_\_\_\_\_

(Corporate Seal) SURETY \_\_\_\_\_

By \_\_\_\_\_  
(Attorneys-in-fact)

(Acknowledgment) Title \_\_\_\_\_

*(NOTE TO SURETY COMPANY: A certified copy of unrevoked resolution of authority for the attorney-in-fact must be submitted with and attached to the executed bond.)*

**PAYMENT/LABOR AND MATERIALS BOND**

*(NOTE: Bidders must use this form, use of any other bond form may render a bid non-responsive)*

KNOW ALL MEN BY THESE PRESENTS:

WHEREAS the City Council of the City of Wheatland has awarded to \_\_\_\_\_ (designated as the “PRINCIPAL”) a contract for the **Forest Glen Lift Station Rehabilitation Project**, which contract and all of the contract documents as defined therein (designated as the “Contract”) are hereby made a part hereof; and

WHEREAS, pursuant to California Civil Code Section 3247, the PRINCIPAL is required, before entering upon the performance of the Contract, to file a payment bond with and have such bond approved by the officer or public entity by whom the Contract is awarded; and

WHEREAS, pursuant to California Civil Code Section 3248, such payment bond must be in a sum not less than one hundred percent (100%) of the total amount payable by the terms of the Contract, and must satisfy the other requirements specified in that section; and

WHEREAS, the PRINCIPAL is required in accordance with the Contract to furnish a payment bond in connection with the Contract to secure payment of claims of laborers, mechanics and materialmen employed on work under the Contract in accordance with applicable law;

NOW, THEREFORE, THESE PRESENTS WITNESSETH:

That the PRINCIPAL and the undersigned \_\_\_\_\_, as surety (designated as “SURETY”), an admitted surety insurer authorized to do business in the State of California are held and firmly bound unto all laborers, material men, and all other persons named in California Civil Code Section 3181 in the sum of \_\_\_\_\_ Dollars (\$ \_\_\_\_\_), lawful money of the United States, being a sum not less than one hundred percent of the total amount payable by the terms of the Contract, for the payment of which sum well and truly to be made, we bind ourselves, our heirs, executors, administrators, successors, or assigns, jointly and severally, by these presents.

THE CONDITION OF THIS OBLIGATION IS SUCH that if the PRINCIPAL or any of the PRINCIPAL’s subcontractors, or the heirs, executors, administrators, successors, or assigns of any, all, or either of them, shall fail to pay any persons named in California Civil Code Section 3181, or fail to pay for any labor, materials, provisions, provender, or other supplies used in, upon, for or about the performance of the work contracted to be done, or for any work or labor thereon of any kind, or fail to pay amounts due under the Unemployment Insurance Code with respect to such work or labor, or fail to pay for any amounts required to be deducted, withheld, and paid over to the Employment Development Department from the wages of employees of the PRINCIPAL or any subcontractors of the PRINCIPAL pursuant to Section 13020 of the Unemployment Insurance Code with respect to such work or labor, that the SURETY will pay

for the same in an amount not exceeding the amount herein above set forth, and also, in case suit is brought upon this bond, will pay a reasonable attorney's fee to be awarded and fixed by the Court; otherwise this obligation shall be void.

It is hereby expressly stipulated and agreed by the said Surety, for value received, that this bond shall inure to the benefit of any and all of the persons named in Section 3181 of the California Civil Code so as to give a right of action to them or their assigns in any suit brought upon this bond.

It is hereby further expressly stipulated and agreed by the said Surety, for value received, that no change, extension of time, alteration or addition to the terms of the Contract or the specifications or drawings accompanying the same or to any other part of the contract documents, as defined therein, shall in any manner affect the obligations of the SURETY on this bond, and SURETY does hereby waive notice of any such change, extension, alteration, or addition.

IN WITNESS WHEREOF, the above-bound parties have executed this instrument under their several seals this \_\_\_\_\_ day of \_\_\_\_\_, \_\_\_\_\_, the name and corporate seals of each corporate party being hereto affixed and these presents duly signed by their undersigned representatives, pursuant to authority of their governing bodies.

(Corporate Seal) PRINCIPAL \_\_\_\_\_

By \_\_\_\_\_

(Acknowledgment) Title \_\_\_\_\_

(Corporate Seal) SURETY \_\_\_\_\_

By \_\_\_\_\_  
(Attorneys-in-fact)

(Acknowledgment) Title \_\_\_\_\_

*(NOTE TO SURETY COMPANY: A certified copy of unrevoked resolution of authority for the attorney-in-fact must be submitted with and attached to the executed bond.)*

**CITY OF WHEATLAND**  
**111 C Street, Wheatland, California 95692**

ORDER NO
DATE
STATE California
COUNTY Yuba

**CONTRACT CHANGE ORDER**

**CONTRACT FOR:**  
**CONTRACT NO:**

**OWNER:** City of Wheatland  
**CONTRACTOR:**  
**CURRENT CONTRACT PRICE:**  
**CURRENT CONTRACT TIME OF COMPLETION:**  
**CURRENT NO. WORKING DAYS**

**TO:** \_\_\_\_\_  
*(Contractor)*

You are hereby requested to comply with the following changes from to the contract plans, specifications, or other contract documents:

Description of Changes (Supplemental Plans and Specifications Attached)	DECREASE in Contract Price	INCREASE In Contract Price
1)		
<b>TOTALS</b>	\$ -	\$ -
<b>NET CHANGE IN CONTRACT PRICE</b>	<b>\$ 0.00</b>	

**JUSTIFICATION:**

The amount of the Contract will be (Decreased) (Increased) By The Sum Of: \$  
-

The Contract Total Including this and previous Change Orders Will Be:

The Contract Period Provided for Completion Will Be (Increased) (Decreased) (Unchanged): \_\_\_\_\_ Days  
Contract  
Completion Date



**MAINTENANCE BOND**

*(NOTE: Bidders must use this form, use of any other bond form may render a bid non-responsive)*

KNOW ALL MEN BY THESE PRESENTS:

WHEREAS the City Council of the City of Wheatland has awarded to \_\_\_\_\_ (designated as the “PRINCIPAL”) a contract for the Forest Glen Lift Station Rehabilitation Project, which contract and all of the contract documents as defined therein (designated as the “Contract”) are hereby made a part hereof; and

WHEREAS, the PRINCIPAL is required under the terms of the Contract to furnish a bond for the correction of any defects due to defective materials or workmanship in the work performed under the Contract.

NOW, THEREFORE, we the PRINCIPAL and the undersigned \_\_\_\_\_, as surety (designated as “SURETY”), an admitted surety insurer authorized to do business in the State of California, are held and firmly bound unto the City of Wheatland, (designated as the “OBLIGEE”), in the penal sum of \_\_\_\_\_ Dollars (\$ \_\_\_\_\_), lawful money of the United States, being a sum not less than ten percent (10%) of the final Contract price, for the payment of which sum well and truly to be made, we bind ourselves, our heirs, executors, administrators, successors, and assigns jointly and severally, firmly by these presents.

THE CONDITIONS OF THIS OBLIGATION ARE SUCH that if, during a maintenance period of one (1) year from the date of acceptance by the OBLIGEE of the contracted work, the PRINCIPAL upon receiving written notice of a need for repairs which are directly attributable to defective materials or workmanship, shall diligently take the necessary steps to correct said defects within seven (7) days from the date of said notice, then this obligation shall be null and void; otherwise it shall remain in full force and effect.

If any action shall be brought by the OBLIGEE upon this bond, a reasonable attorney’s fee, to be fixed by the Court, shall be and become a part of OBLIGEE’s judgment in any such action.

No right of action shall accrue on this bond to, or for the use of, any person or corporation other than the OBLIGEE named herein or the heirs, executors, administrator or successor of the OBLIGEE.

IN WITNESS WHEREOF, the above bound parties have executed this instrument under their seals this \_\_\_\_\_ day of \_\_\_\_\_, the name and corporate seals of each corporate party being hereto affixed and these presents duly signed by its undersigned representative, pursuant to authority of its governing body.

(Corporate Seal) PRINCIPAL \_\_\_\_\_

By \_\_\_\_\_

(Acknowledgment) Title \_\_\_\_\_

(Corporate Seal) SURETY \_\_\_\_\_

By \_\_\_\_\_  
(Attorneys-in-fact)

(Acknowledgment) Title \_\_\_\_\_

*(NOTE TO SURETY COMPANY: A certified copy of unrevoked resolution of authority for the attorney-in-fact must be submitted with and attached to the executed bond.)*

**ESCROW AGREEMENT FOR  
SECURITY DEPOSITS IN LIEU OF RETENTION**

This Escrow Agreement is made and entered into by and between the City of Wheatland, whose address is 111 C Street, Wheatland, California 95692 hereinafter called "City", \_\_\_\_\_

\_\_\_\_\_, whose address is \_\_\_\_\_, hereinafter called

"Contractor", and \_\_\_\_\_, whose address is

\_\_\_\_\_, hereinafter called "Escrow Agent"

For consideration hereinafter set forth, the City, Contractor, and Escrow Agent agree as follows:

1. Pursuant to Section 22200 of the Public Contract Code of the State of California, Contractor has the option to deposit securities with Escrow Agent as a substitute for retention earnings required to be withheld by City pursuant to the Construction Contract entered into between the City and Contractor for the project entitled Forest Glen Lift Station Rehabilitation Project in the amount of \_\_\_\_\_ dated \_\_\_\_\_ (hereinafter referred to as the "Contract"). Alternatively, on written request of the Contractor, the City shall make payments of the retention earnings directly to the Escrow Agent. When Contractor deposits the securities as substitute for Contract earnings, the Escrow Agent shall notify the City within 10 days of the deposit. The market value of the securities at the time of the substitution shall be at least equal to the cash amount then required to be withheld as retention under the terms of the Contract between the City and Contractor. Securities shall be held in the name of \_\_\_\_\_ and shall designate the Contractor as the beneficial owner.
2. The City shall make progress payments to the Contractor for such funds which otherwise would be withheld from progress payments pursuant to the Contract provisions, provided that the Escrow Agent holds securities in the form and amount specified above.
3. When the City makes payment of retentions earned directly to the Escrow Agent, the Escrow Agent shall hold them for the benefit of the Contractor until such time as the escrow created under this contract is terminated. The Contractor may direct the investments of the payments into securities. All terms and conditions of this agreement and the rights and responsibilities of the parties shall be equally applicable and binding when the City pays the escrow agent directly.
4. Contractor shall be responsible for paying all fees for the expenses incurred by Escrow Agent in administering the Escrow Account and all expenses of the City. These expenses and payment terms shall be determined by the City, Contractor and Escrow Agent.
5. The interest earned on the securities or the money market accounts held in escrow and all interest earned on that interest shall be for the sole account of the Contractor and shall be subject to withdrawal by Contractor at any time and from time to time without notice to the City.



6. Contractor shall have the right to withdraw all or any part of the principal in the Escrow Account only by written notice to Escrow Agent accompanied by written authorization from City to the Escrow Agent that City consents to the withdrawal of the amount sought to be withdrawn by Contractor.
7. The City shall have a right to draw upon the securities in the event of default by the Contractor. Upon seven day's written notice to the Escrow Agent from the City of the default, the Escrow Agent shall immediately convert the securities to cash and shall distribute the cash as instructed by the City.
8. Upon receipt of written notification from the City certifying that the Contract is final and complete, and that the Contractor has complied with all requirements and procedures applicable to the Contract, Escrow Agent shall release to Contractor all securities and interest on deposit less escrow fees and charges of the Escrow Account. The escrow shall be closed immediately upon disbursement of all monies and securities on deposit and payments of fees and charges.
9. Escrow Agent shall rely on the written notifications from the City and the Contractor pursuant to Sections (4) to (6) inclusive, of this agreement and the City and Contractor shall hold Escrow Agent harmless from Escrow Agent's release and disbursement of the securities and interest as set forth above.
10. The names of the persons who are authorized to give written notice or to receive written notice on behalf of the City and on behalf of Contractor in connection with the foregoing, and exemplars of their respective signatures, are as follows:

On behalf of City:

\_\_\_\_\_

Title: \_\_\_\_\_

Name: \_\_\_\_\_

On Behalf of Contractor:

\_\_\_\_\_

Title: \_\_\_\_\_

Name: \_\_\_\_\_

On behalf of Escrow Agent:

\_\_\_\_\_

\_\_\_\_\_

Title

\_\_\_\_\_

Name

\_\_\_\_\_

Signature

\_\_\_\_\_

Address

At the time the Escrow Account is opened, the City and Contractor shall deliver to the Escrow Agent a fully executed counterpart of this Agreement.

IN WITNESS WHEREOF, the parties have executed this Agreement by their proper officers on the date first set forth above.

City:

Contractor:

\_\_\_\_\_  
Title

\_\_\_\_\_  
Title

\_\_\_\_\_  
Name

\_\_\_\_\_  
Name

\_\_\_\_\_  
Signature

\_\_\_\_\_  
Signature

\_\_\_\_\_  
Address

\_\_\_\_\_  
Address

# GENERAL PROVISIONS

## SECTION 1 DEFINITIONS

The following terms as used in any agreement of which these General Provisions are a part are defined as follows:

- 1-1.01 Agreement:** The agreement between the City and Contractor concerning the Project, as evidenced by and comprised of the Contract Documents.
- 1-1.02 Base:** A layer of specified material of planned thickness placed immediately below the pavement or surfacing.
- 1-1.03 Base Material:** The material in excavation or embankments underlying the lowest layer of subbase, base, pavement, surfacing or other specified layer which is to be placed.
- 1-1.04 Bid Package:** All of the documents listed as comprising the entire Bid Package as specified in the Instructions to Bidders and representing the full set of documents made available to bidders on the Project.
- 1-1.05 Bridge:** Any structure, with a bridge number, which carries a utility facility, or railroad, highway, pedestrian or other traffic, over a water course or over or under or around any obstruction.
- 1-1.06 Caltrans:** The Department of Transportation of the State of California, as created by law.
- 1-1.07 Change Order:** Amendment to the Agreement, the Project Plans, Technical Specifications or other Contract Documents in accordance with Section 3, Control of Work and Material and Changes in Work, of the General Provisions.
- 1-1.08 City:** City of Wheatland.
- 1-1.09 Conduit:** A pipe or tube in which smaller pipes, tubes or electrical conductors are inserted or are to be inserted.
- 1-1.10 Contract Documents:** All those documents listed in the Project agreement as comprising the entire agreement between the City and the Contractor.
- 1-1.11 Contractor:** The successful bidder for the Project and party to the Project agreement with the City as specified in the Project agreement.

- 1-1.12 Culvert:** Any structure, other than a bridge, which provides an opening under a roadway for drainage or other purposes.
- 1-1.13 Days:** Unless otherwise specified in the Contract Documents, days mean working days.
- 1-1.14 Designer:** The person or persons so specified on the Technical Specifications and/or Project Plans.
- 1-1.15 Detour:** A temporary route for traffic around a closed portion of a road.
- 1-1.16 Divided Highway:** A highway with separated traveled ways for traffic, generally in opposite directions.
- 1-1.17 Engineer:** The City's authorized representative for administration and overall management of the Project agreement and Work. The Engineer is the official point of contact between the City and the Contractor.
- 1-1.18 Frontage Road:** A local street or road auxiliary to and located generally on the side of an arterial highway for service to abutting property and adjacent areas and for control of access.
- 1-1.19 Grading Plane:** The surface of the basement material upon which the lowest layer of subbase, base, pavement, surfacing or other specified layer is placed.
- 1-1.20 Highway:** The whole right of way or area which is reserved for and secured for use in constructing the roadway and its appurtenances.
- 1-1.21 Laboratory:** The established laboratory of the Materials and Research Department of the Department of Transportation of the State of California or laboratories authorized by the Engineer to test materials involved in the contract.
- 1-1.22 Manual on Uniform Traffic Control Devices California Supplement:** The latest edition of California Manual on Uniform Traffic Control Devices (CAMUTCD) is administered by the California Department of Transportation.
- 1-1.23 (Blank)**
- 1-1.24 Median:** That portion of a divided highway separating the traveled ways for traffic in opposite directions including inside shoulders.
- 1-1.25 Office of Structure Design:** The Offices of Structure Design of the Department of Transportation. When the specifications require working drawings to be submitted to the Offices of Structure Design, the drawings shall be submitted to: Offices of Structure Design, Documents Unit, Mail Station 9-4/4I, 1801 30<sup>th</sup> Street, Sacramento, CA 95816, Telephone (916) 227-8252.

- 1-1.26 Pavement:** The uppermost layer of material placed on the traveled way or shoulders. This term is used interchangeably with surfacing.
- 1-1.27 Processing:** Any operation or operations of whatever nature and extent required to produce a specified material.
- 1-1.28 Project:** The Forest Glen Lift Station Rehabilitation Project as described in the Technical Specifications.
- 1-1.29 Project Inspector:** The party or parties charged by the City with inspecting the Work for compliance with the requirements of the Contract Documents and applicable laws and regulations. The Project Inspector acts under the direction of the City and shall coordinate with the Public Works Department as directed by the City in accordance with the Contract Documents.
- 1-1.30 Project Plans:** The primarily graphic detailed requirements concerning the Project contained in the Bid Package and any addenda to the Project Plans signed by authorized City representatives and issued prior to bid opening, Equal Product Proposals accepted by the City and signed by authorized City representatives prior to bid opening, and change orders and other amendments to the Project Plans signed by authorized representatives of the City and the Contractor in accordance with the requirements of the Contract Documents.
- 1-1.31 Roadbed:** The roadbed is that area between the intersection of the upper surface of the roadway and the side slopes or curb lines. The roadbed rises in elevation as each increment or layer of subbase, base, surfacing or payment is placed. Where the medians are so wide as to include areas of undisturbed land, a divided highway is considered as including 2 separate roadbeds.
- 1-1.32 Roadway:** That portion of the highway included between the outside lines of sidewalks, or curbs, slopes, ditches, channels, waterways, and including all the appertaining structures, and other features necessary to proper drainage and protection.
- 1-1.33 Shoulders:** The portion of the roadway contiguous with the traveled way for accommodation of stopped vehicles, for emergency use, and for lateral support of base and surface courses.
- 1-1.34 Special Provisions:** The special provisions set forth conditions or requirements peculiar to the Work and supplementary to the General Provisions.
- 1-1.35 Standard Specifications:** The directions, provisions and requirements contained in the Caltrans Specifications.
- 1-1.36 Subbase:** A layer of specified material of planned thickness between a base and the basement material.

- 1-1.37 Subcontractor:** A person, firm or corporation that is obligated as a party to a contract with the Contractor to perform part of the Project work. For purposes of these General Provisions Subcontractors include, but are not limited to, those that are obligated as parties to a contract with the Contractor to specially fabricate and install a portion of the Project Work according to the Technical Specifications and/or Project Plans.
- 1-1.38 Subgrade:** That portion of the roadbed on which pavement, surfacing, base, subbase, or a layer of any other material is placed.
- 1-1.39 Substructure:** All that part of the bridge below the bridge seats, tops of piers, haunches of rigid frames, or below the spring lines of arches. Backwalls and parapets of abutments and wingwalls of bridges shall be considered as parts of the substructure.
- 1-1.40 Superstructure:** All that part of the bridge except the bridge substructure.
- 1-1.41 Surfacing:** The uppermost layer of material placed on the traveled way, or shoulders. This term is used interchangeably with pavement.
- 1-1.42 Technical Specifications:** The detailed Project requirements contained in the Bid Package and any addenda to the Technical Specifications signed by authorized City representatives and issued prior to bid opening, Equal Product Proposals accepted by the City and signed by authorized City representatives prior to bid opening, and change orders and other amendments to the Technical Specifications signed by authorized representatives of the City and the Contractor in accordance with the requirements of the Contract Documents.
- 1-1.43 Traffic Lane:** That portion of a traveled way for the movement of a single line of vehicles.
- 1-1.44 Traveled Way:** That portion of the roadway for the movement of vehicles, exclusive of the shoulders.
- 1-1.45 Work:** The furnishing of all equipment, tools, apparatus, facilities, material, labor and skill necessary to perform and complete in a good and workmanlike manner the Project as shown in the Technical Specifications and Project Plans in accordance with the Contract Documents and applicable law.
- 1-1.46 Written Notice:** Will be deemed to have been duly served for purposes of these General Provisions and any agreement of which they are a part if delivered in person to the individual or to a member of the firm or to any office of the corporation for whom the notice is intended, or if sent by registered or certified mail to the last known business address known to the party giving notice. Unless otherwise specified in the Contract Documents, the last known address of the Contractor shall be that listed in the Contractor's completed Proposal and Schedule of Bid Prices.

## **SECTION 2**

### **SCOPE OF WORK**

**2-1.01 Documents Furnished by City.** The City will furnish to the Contractor, free of charge five (5) sets of prints of the Project Plans and Technical Specifications for execution of the Work. Throughout the performance of the Work the Contractor must keep one copy of the Project Plans and Technical Specifications in good order and available for review by the Engineer, the Designer, and any other City contractors or representatives.

**2-1.02 Ownership of Documents Furnished by City.** All documents furnished by the City, including, but not limited to, the Technical Specifications, Project Plans, and any copies, are the property of the City. Documents furnished by the City may not to be used on any other work. All documents furnished by the City must be returned to City upon completion of the Work.

**2-1.03 Technical Specifications and Project Plans.**

- a. The Technical Specifications and Project Plans are complementary and intended to mutually describe the Work necessary to complete the Project in accordance with the Contract Documents.
- b. In general, the Project Plans indicate dimensions, position and kind of construction, and the Technical Specifications indicate qualities and methods. Any Work indicated on the Project Plans and not mentioned in the Technical Specifications or vice versa must be furnished as though fully set forth in both. Work that is not particularly detailed, marked or specified shall be the same as similar Work that is detailed, marked or specified. The Contractor must furnish items necessary for the operation of equipment depicted in the Project Plans or specified in the Technical Specifications that are suitable to allow such equipment to function properly at no extra charge.
- c. The Contractor must notify the Engineer as soon as possible of any apparent errors or inconsistencies, including, but not limited to, typographical or notational errors in the Project Plans, Technical Specifications, and/or in work done by others affecting the Work. The Engineer will issue instructions concerning any such apparent errors or inconsistencies. If the Contractor proceeds with Work impacted by apparent errors or inconsistencies without instructions from the Engineer, the Contractor shall do so at its sole risk and shall have all of the obligations and the City shall have all of the rights and remedies specified in Section 9 concerning any resulting damage or defect.
- d. The General Provisions apply with equal force to all of the Work, including extra work authorized by the Engineer in accordance with the Contract Documents. The Contractor must submit any required shop diagrams and/or drawings by the times and in the quantities indicated in the Technical Specifications. Any such shop diagrams and/or drawings must show completely the Work to be done, expanding on the Project Plans concerning details not previously shown, field conditions and the

condition of the Work. Engineer review of such shop diagrams and/or drawings will concern conformance with the requirements of the Contract Documents only. The Engineer assumes no responsibility for the correctness or accuracy of the dimensions or any other contents of any shop diagrams and/or drawings submitted by the Contractor. The Contractor must check all dimensions at the Work site. Shop diagrams and/or drawings must be clearly marked with the name of the Project and the name of the Contractor, subcontractor or supplier making the submittal, and must be stamped and signed by the Contractor and submitted under a signed transmittal letter from the Contractor certifying that all dimensions have been checked at the Work site. These requirements are mandatory. The Engineer will not review shop diagrams and/or drawings that do not satisfy these requirements. The Contractor will be responsible for any and all discrepancies between dimensions of the actual Project site and/or Work and those shown on shop diagram and/or drawings submitted by the Contractor, and for any other errors contained in or resulting from such shop diagrams and/or drawings, including, but not limited to, errors in material and/or equipment quantities and any resulting errors, delays or additional cost in the performance of the Work. The Contractor will have all of the obligations and the City will have all of the rights and remedies that are specified in Section 9, Remedies and Disputes, concerning any discrepancies or errors in shop diagrams and/or drawings submitted by the Contractor, and concerning any resulting errors, delays or additional costs in the performance of the Work.

**2-1.04 Pre-Construction Conference.** Prior to the issuance of the Notice to Proceed, a pre-construction conference will be held at the Office of the Public Works Department for the purpose of discussing with the Contractor the scope of work, Contract drawings, specifications, existing conditions, materials to be ordered, equipment to be used, and all essential matters pertaining to the prosecution of and the satisfactory completion of the project as required. The Contractor's representative at this conference shall include all major superintendents for the work and may include major subcontractors.



## **SECTION 3 CONTROL OF WORK AND MATERIAL AND CHANGES IN THE WORK**

**3-1.01 Engineer's Status.** The Engineer will administer the Project in accordance with the Contract Documents. After execution of the agreement and issuance of the Notice to Proceed, all correspondence and/or instructions concerning the Project between the Contractor and/or City shall be forwarded through the Engineer. Except as otherwise provided in the Contract Documents, the Engineer will not be responsible for and will not have control or charge of construction means, methods, techniques, or procedures or for safety precautions in connection with the Work. The Engineer, however, will have authority to reject materials and/or workmanship that do not conform to the requirements of the Contract Documents. The Engineer will also have the authority to require inspection or testing of the Work.

**3-1.02 Designer's Status.** The Designer will advise the Engineer concerning decisions on all claims of the Contractor and all other matters relating to the execution and progress of the Work or the interpretation of the Contract Documents. The Designer will also advise the Engineer concerning Work that does not conform to the Contract Documents. Whenever, in the Designer's opinion, it is necessary or advisable in accordance with the Contract Documents, the Designer may recommend to the Engineer inspection or testing of the Work, whether or not such Work is then fabricated, installed or completed.

**3-1.03 Inspection and Testing of Work and Material.**

- a. The City, the Engineer, the Designer and their representatives will have access to the Work at all times wherever it is in preparation or progress. The Contractor must provide proper facilities for such access and for inspection. The Contractor shall furnish the Engineer a list of the Contractor's sources of materials and the locations at which those materials will be available for inspection. The list shall be furnished to the Engineer in sufficient time to permit inspecting and testing of materials to be furnished from the listed sources in advance of their use. Within three (3) business days of receipt of the list, the Engineer may inspect, sample or test materials at the source of supply or other locations, but the inspection, sampling or testing will not be undertaken until the Engineer is assured by the Contractor of the cooperation and assistance of both the Contractor and the supplier of the material. The Contractor shall assure that the Engineer or the Engineer's authorized representative has free access at all times to the material to be inspected, sampled or tested. Adequate facilities shall be furnished free of charge to make the necessary inspection. The City assumes no obligation to inspect materials at the source of supply. It is understood that the inspections and tests if made at any point other than the point of incorporation in the Work in no way shall be considered as a guaranty of acceptance of the material nor of continued acceptance of material presumed to be similar to that upon which inspections and tests have been made, and that inspection and testing performed by

the City shall not relieve the Contractor or the Contractor's suppliers of responsibility for quality control.

- b. The Contractor must inspect all materials as delivered and promptly return all defective materials without waiting for their rejection by the Designer or Engineer. The Contractor shall be responsible for controlling the quality of the material entering the Work and of the Work performed, and shall perform testing as necessary to ensure control. The test methods used for quality control testing shall be as determined by the Contractor and this Agreement. The results of the testing shall be made available to the Engineer upon request. These tests are for the Contractor's use in controlling the Work and will not be accepted for use as acceptance tests. Full compensation for performing quality control tests and making the results available to the Engineer shall be considered as included in the Contract Prices and no additional compensation will be allowed therefor.
- c. If the Engineer, the Technical Specifications, or any laws, ordinances, or any public authority require any Work to be tested or approved, the Contractor must give the Engineer timely notice of the Contractor's readiness for inspection. Inspections will be promptly made, and where practicable, at the source of supply. Any work subject to such testing that is covered up without timely notice to the Engineer or without the approval or consent of the Engineer must, if required by the Engineer, be uncovered for examination at the Contractor's expense. The Contractor will have all of the obligations and the City will have all of the rights and remedies that are specified in Section 9 concerning any work subject to testing that is covered up without timely notice to the Engineer and that is not uncovered for examination at the Contractor's expense if required by the Engineer.
- d. Tests of materials or qualification tests required by the Contract Documents must be made in accordance with the Technical Specifications and the requirements of the California Building Standards Code, where applicable, as adopted by the City, and other applicable law. Copies of all testing reports shall be distributed as required in the Technical Specifications. The laboratory or inspection agency shall be selected by the City. The City will pay for all laboratory inspection service direct, and not as a part of the contract. Materials of construction, particularly those upon which the strength and durability of the structure may depend, shall be subject to inspection and testing to establish conformance with specifications and suitability for uses intended.
- e. The City or its representatives may order re-examination of questioned Work. If ordered to do so, the Contractor must uncover such Work. If such Work is found to be according to the Contract Documents, the City shall pay the cost of uncovering and restoring the Work, unless such Work was subject to testing and covered up without timely notice to or approval of the Engineer. If re-examined Work is found not in accordance with the Contract Documents, the Contractor must pay the cost of uncovering and restoring the Work. The Contractor will have all of the obligations and the City will have all of the rights and remedies that are specified in Section 9 concerning any re-examined Work not in accordance with the Contract Documents that the Contractor fails to uncover and restore at the Contractor's expense.

- f. The Contractor must replace or correct without charge any material or workmanship found not to conform to the requirements of the Contract Documents, unless the City consents to accept such material or workmanship with an appropriate adjustment in the Contract Price. The Contractor must promptly segregate and remove non-conforming material from the Work site. The Contractor will have all of the obligations and the City will have all of the rights and remedies that are specified in Section 9 concerning any failure by the Contractor to replace or correct without charge any material or workmanship that does not conform to the requirements of the Contract Documents and that the City has not consented to accept.
- g. Any work done beyond the lines and grades shown on the Project Plans or established by the Engineer, or any extra work done without written authority will be considered as unauthorized work and will not be paid for. Upon order of the Engineer unauthorized work shall be remedied, removed or replaced at the Contractor's expense.
- h. The inspection of the Work or materials shall not relieve the Contractor of any of the Contractor's obligations to fulfill the Agreement. Work and materials not meeting Agreement requirements shall be made good, and unsuitable Work of materials may be rejected, notwithstanding that the Work or materials have been previously inspected by the Engineer or that payment therefore has been given.
- i. Unless otherwise specified, all tests shall be performed in accordance with the methods used by Caltrans and shall be made by the Engineer or the Engineer's designated representative.
- j. The City has developed methods for testing the quality of materials and work. These methods are identified by number and are referred to in the Technical Specifications as California Tests. Copies of individual California Tests are available at the Transportation Laboratory, Sacramento, California, and will be furnished to interested persons upon request.
- k. Whenever the specifications require compliance with specified values for the following properties, tests will be made by the California Test indicated unless otherwise specified:

Properties	California Test
Relative Compaction	216 or 231
Sand Equivalent	217
Resistance (R-value)	301
Grading (Sieve Analysis)	202
Durability Index	229

- l. Whenever a reference is made in the Technical Specifications to a California Test by number, it shall mean the California Test in effect on the day the Agreement is signed on behalf of the City.
- m. Whenever the Technical Specifications provide an option between 2 or more tests, the Engineer will determine the test to be used.
- n. Whenever a reference is made in the Technical Specifications to a specification, manual or test designation either of the American Society for Testing and Materials, the American Association of State Highway and Transportation Officials, Federal Specifications or any other recognized national organization, and the number or other identification representing the year of adoption or latest revision is omitted, it shall mean the specification, manual or test designation in effect on the day the Agreement is signed on behalf of the City. Whenever the specification, manual or test designation provides for test reports (such as certified mill test reports) from the manufacturer, copies of those reports, identified as to the lot of material, shall be furnished to the Engineer. The manufacturer's test reports shall supplement the inspection, sampling and testing provisions in this Section, and shall not constitute a waiver of the City's right to inspect. When material which cannot be identified with specific test reports is proposed for use, the Engineer may, at the Engineer's discretion, select random samples from the lot for testing. Test specimens from the random samples, including those required for retest, shall be prepared in accordance with the referenced specification and furnished by the Contractor at the Contractor's expense. The number of the samples and test specimens shall be entirely at the discretion of the Engineer. Unidentified metal products, such as sheet, plate and hardware shall be subject to the requirements of Section 55-2.07, "Unidentified Stock Material" of the Standard Specifications.
- o. When requested by the Engineer, the Contractor shall furnish, without charge, samples of all materials entering into the Work, and no material shall be used prior to approval by the Engineer, except as provided in Section 3-1.04, "Certificates of Compliance." Samples of material from local sources shall be taken by or in the presence of the Engineer; otherwise, such samples will not be considered for testing.

#### **3-1.04 Certificates of Compliance.**

- a. Certificates of Compliance shall be furnished prior to the use of any materials for which the Technical Specifications require that a certificate be furnished. In addition, when so authorized in the Technical Specifications, the Engineer may permit the use of certain materials or assemblies prior to sampling and testing if accompanied by a Certificate of Compliance. The certificate shall be signed by the manufacturer of the material or the manufacturer of assembled materials and shall state that the materials involved comply in all respects with the requirements of the Technical Specifications. A Certificate of Compliance shall be furnished with each lot of material delivered to the work and the lot so certified shall be clearly identified in the certificate.

- b. Materials used on the basis of a Certificate of Compliance may be sampled and tested at any time. The fact that material is used on the basis of a Certificate of Compliance shall not relieve the Contractor of responsibility for incorporating material in the Work which conforms to the requirements of the Project Plans and Technical Specifications, and any material not conforming to the requirements will be subject to rejection whether in place or not.
- c. The City reserves the right to refuse to permit the use of material on the basis of a Certificate of Compliance.
- d. The form of the Certificate of Compliance and its disposition shall be as directed by the Engineer.

**3-1.05 Samples Furnished by the Contractor.** The Contractor must furnish all samples for approval as directed in sufficient time to permit the Designer or Engineer to examine, approve and select samples before they are required by the progress of the Work. Portions of the Work for which samples are required and for which the Designer or Engineer has selected samples must be in accordance with such approved samples. Samples must be sent prepaid to the office of the Engineer or to such place as the Engineer may direct.

**3-1.06 Materials and Substitutions.**

- a. Materials used for the Work must be new and of the quality specified. When not particularly specified, materials must be the best of their class or kind. The Contractor must, if required, submit satisfactory evidence as to the kind and quality of materials.
- b. If the Contractor submitted complete information to the Public Works Department for products proposed as equals in accordance with the bid package, and the City approved such products proposed as equals in writing, the Contractor may either furnish such products approved as equals, or furnish the products listed by manufacturer name, brand or model number in the Technical Specifications or Project Plans. The City retains the right, in its sole discretion, to accept or reject any other proposed substitution. To be considered, proposals concerning products proposed as equals must include sufficient information to permit the City to determine whether the products proposed as equals will satisfy the same performance requirements as products listed by manufacturer's name, brand or model number. Such performance requirements may include, but are not limited to, size, strength, function, appearance, ease of maintenance and repair, and useful life requirements. If the City does not accept a proposed substitution, the Contractor must furnish the product specified in the Technical Specifications or Project Plans for the Contract Price, regardless of whether the product is specified by manufacturer's name, brand or model number, or otherwise.

### **3-1.07 Contractors Responsibility For The Work And Materials.**

- a. Until the acceptance of the Work, the Contractor shall have the charge and care of the Work and of the materials to be used and shall bear the risk of injury, loss or damage to any part thereof by the action of the elements or from any other cause, whether arising from the execution or from the non-execution of the Work, except as provided in Sections 6-1.16, "Public Convenience," and 5-1.11, "Relief From Maintenance and Responsibility." The Contractor shall rebuild, repair, restore, and make good all injuries, losses or damages to any portion of the Work or the materials occasioned by any cause before its completion and acceptance and shall bear the expense thereof, except for those injuries, losses, or damages that are directly and proximately caused by acts of the Federal Government or the public enemy. Where necessary to protect the Work or materials from damage, the Contractor shall, at the Contractor's expense, provide suitable drainage of the roadway and erect those temporary structures that are necessary to protect the Work or materials from damage. The suspension of the Work from any cause whatever shall not relieve the Contractor of the responsibility for the Work and materials as herein specified. If ordered by the Engineer, the Contractor shall, at the Contractor's expense, properly store materials which have been partially paid for by the City or which have been furnished by the City. Storage by the Contractor shall be on behalf of the City and the City shall at all times be entitled to the possession of the materials, and the Contractor shall promptly return the materials to the site of the Work when requested. The Contractor shall not dispose of any of the materials so stored except on written authorization from the Engineer.
  
- b. During the performance of the Work, all materials must be neatly stacked, properly protected from the weather and other adverse impacts, and placed so as to avoid interference with efficient progress of the Work, with other activities of the City, or with the use of existing City facilities by the public. All materials must be delivered so as to ensure efficient and uninterrupted progress of the Work. Materials must be stored so as to cause no obstruction and so as to prevent overloading of any portion of the Work. The Contractor will be responsible for damage or loss of materials delivered to and/or stored at the Work site due to weather or other causes. The Contractor must promptly remove from the Work site all materials rejected by the City or its representatives as failing to conform to the requirements of the Contract Documents, whether such non-conforming materials have been incorporated in the Work or not. If the City or its representatives so direct, the Contractor must promptly replace and re-execute Work performed by the Contractor and order the replacement and re-execution of Work performed by subcontractors using non-conforming materials with materials that satisfy the requirements of the Contract Documents without expense to the City. The Contractor will bear the expense of making good all Work destroyed or damaged by such removal. The Contractor will have all of the obligations and the City will have all of the rights and remedies that are specified in Section 9 concerning any failure by the Contractor to replace or re-execute Work using non-conforming materials, and/or to make good all work destroyed or damaged by such removal and/or execution.

**3-1.08 Audit and Examination of Records.** The City may examine and audit at no additional cost to the City all books, estimates, records, contracts, documents, bid documents, bid cost data, subcontract job cost reports and other Project related data of the Contractor, subcontractors engaged in performance of the Work, and suppliers providing supplies, equipment and other materials required for the Work, including computations and projections related to bidding, negotiating, pricing or performing the Work or contract modifications and other materials concerning the Work, including, but not limited to, Contractor daily logs, in order to evaluate the accuracy, completeness, and currency of cost, pricing, scheduling and any other project related data. The Contractor will make available all such Project related data at all reasonable times for examination, audit, or reproduction at the Contractor's business office at or near the Work site, and at any other location where such Project related data may be kept until three years after final payment under the Agreement. Pursuant to California Government Code Section 8546.7, if the amount of public funds to be expended is in excess of \$10,000, this Agreement shall be subject to the examination and audit of the State Auditor, at the request of the City, or as part of any audit of the City, for a period of three (3) years after final payment under the Agreement.

**3-1.09 Advertising.** No advertising signs of any kind may be displayed on the Work site, or on fences, offices or elsewhere adjacent to the Work site.

**3-1.10 Project Schedule.** Within 7 days of issuance of the Notice to Proceed, the Contractor must submit a schedule showing each task of Work, the sequence of each task, the number of days required to complete each task, and the critical path controlling the completion of the entire Work. The schedule must allow for the completion of the entire Work within the Time for Completion.

- a. City Review of Schedule. The City may review the Contractor's submitted schedule and may note any exceptions. The Contractor must correct any exceptions noted by the City within five (5) working days of being notified of the exceptions.
- b. Update of Schedule. After submission of a schedule to which the City has taken no exceptions, the Contractor must submit an updated schedule on a biweekly basis or as otherwise specified by the City until completion of the Work. The updated schedule must show the progress of Work as of the date specified in the updated schedule.
- c. Float. The schedule shall show early and late completion dates for each task. The number of days between these dates will be designated as "float". The Float will be designated to the Project and will be available to both the City and the Contractor as needed.
- d. Failure to Submit Schedule. If the Contractor fails to submit schedules within the time periods specified in this Section, or submit a schedule to which the City has taken uncorrected exceptions, the City may withhold payments to the Contractor until

such schedules are submitted and/or corrected in accordance with the Contract Documents.

- e. Responsibility for Schedule. The Contractor will be solely and exclusively responsible for creating the schedule and properly updating it. The City may note exceptions to any schedule submitted by the Contractor. However, if the Contractor will be solely responsible for determining the proper method for addressing such exceptions and the City's review of the schedule will not place scheduling obligation on the City.

**3-1.11 Construction Staking.** Where the Contract Documents require, the Contractor shall employ a licensed Land Surveyor to perform construction staking. Stakes and marks will be set by the Surveyor as the Engineer determines to be necessary to establish the lines and grades required for the completion of the Work.

- a. The Contractor will be responsible for coordinating performance of the Work with the Surveyor and for all costs associated with construction staking and layout.
- b. Contractor shall provide "cutsheets" for the Engineer to review and use in checking grades. Finished grades shall be within 0.01 feet in elevation and 0.03 feet horizontal layout.
- c. Full compensation for Construction Staking shall be considered as included in the prices paid for the various items of Work involved, and no additional allowance will be made therefore.

**3-1.12 Detours.**

- a. The Contractor shall construct and remove detours and detour bridges for the use of public traffic as provided in the Special Provisions, or as shown on the Project plans or as directed by the Engineer. Payment for this Work will be made as set forth in the Special Provisions or at the contract prices for the items of Work involved
- b. The cost of repairing damage to detours caused by public traffic will be paid for as provided in this Section 3.
- c. When public traffic is routed through the Work, provision for a passageway through construction operations will not be considered as detour construction or detour maintenance, and this Work shall conform to and be paid for as provided in Section 6-1.16, "Public Convenience" unless otherwise specified in the Special Provisions.
- d. Detours used exclusively by the Contractor for hauling materials and equipment shall be constructed and maintained by the Contractor at the Contractor's expense.



- e. The failure or refusal of the Contractor to construct and maintain detours at the proper time shall be sufficient cause for suspending the Work until the detours are in satisfactory condition for use by public traffic.
- f. Where the Contractor's hauling is causing such damage to the detour that its maintenance in a condition satisfactory for public traffic is made difficult and unusually expensive, the Engineer shall have authority to regulate the Contractor's hauling over the detour.

**3-1.13 City Directed Change Orders.** The City may at any time during the progress of the Work direct any amendments to the Work or any of the Contract Documents, including, but not limited to the Technical Specifications, or Project Plans. Such amendments will in no way void the agreement, but will be applied to amend the Contract Price, if such amendments affect the Contract Price, the Project schedule, if such amendments affect the Project schedule, or any other provision of the Contract Documents based on a fair and reasonable valuation of the amendment in accordance with this Section 3.

**3-1.14 Writing Requirement.** Change orders and other amendments to the Technical Specifications, the Project Plans, or other Contract Documents may be made only by a writing executed by authorized representatives of the City and the Contractor.

**3-1.15 Contractor Proposed Change Orders.** Unless the Engineer otherwise authorizes or the City and the Contractor otherwise agree, change order proposals submitted by the Contractor must be submitted to the Engineer no later than the time of the proposed change. The Project Manager shall review the proposed change order and respond by acknowledging the contract change, supplying information and not acknowledging a change order, or recommending other action. If the Project Manager acknowledges the contract change, the Contractor shall submit a change order to the Project Manager as set forth in this Section. Each change order submitted by the Contractor shall be accompanied by the following certification executed by an officer of Contractor:

I, \_\_\_\_\_, being the \_\_\_\_\_ of \_\_\_\_\_ (Contractor), declare under penalty of perjury under the laws of the State of California, and do personally certify and attest that: I have thoroughly reviewed the attached request for change order and know its contents, and said request for change order is made in good faith; that it is supported by truthful and accurate data; that the amount requested and the additional time requested accurately reflects the allowable expenses that would be incurred, and the time necessary, to perform the change order; and further, that I am familiar with California Penal Code section 72 and California Government Code section 12650, et seq., pertaining to false claims, and further know and understand that submission or certification of a false claim may lead to fines, imprisonment, or other severe legal consequences.

**3-1.16 All Change Orders.** All proposed change orders must be submitted on completed Change Order forms provided in the Contract Documents. All such proposed change orders must itemize all cost impacts of the proposed change order and include a total

price for that change order and the amended Contract Price that would become effective upon execution of the change order. All proposed change orders must specify any change in the Project schedule, or in any project milestone including, but not limited to, the Time for Completion, under the change order. It is understood that change orders that do not specify a change in any milestone, including, but not limited to, the Time for Completion, must be accomplished by the Time for Completion then in effect.

**3-1.17 Change Order Pricing.** Change order pricing for all change orders, whether, additive, deductive, or both, will be governed by the following:

- a. Prices specified in the Contract Documents will apply to cost impacts involving items for which the Contract Documents specify prices.
- b. Cost impacts involving items for which the Contract Documents do not specify prices may be paid on a lump sum basis as approved by the City.
- c. For cost impacts involving items for which the Contract Documents do not specify prices, and for which no lump sum amount has been approved by the City, charges or credits for the Work will be paid on a time and materials basis in accordance with the following and subject to Caltrans Standard Specifications, provision 9-1.03, concerning allowable direct charges. The time and materials payment will be the sum of and limited to the direct and indirect costs for labor, materials, equipment and overhead calculated as follows:
  1. Labor: The Contractor will be paid the cost of labor for the workers (including foremen when authorized by the Engineer), used in the actual and direct performance of the Work. The cost of labor utilized in performing the Work, whether the employer is the Contractor, a subcontractor or other entity engaged in the performance of the Work, will be the sum of the following:
    - Actual Wages: The actual wages paid will include any employer fringe benefit payments to or on behalf of the workers for health and welfare, pension, vacation and similar purposes. The actual wages and fringe benefits paid must be at the rates shown on the certified payroll documents submitted by the Contractor.
    - Labor Surcharge: The labor surcharge will be as set forth in the latest edition of the California Department of Transportation publication entitled "Labor Surcharge and Equipment Rental Rates". The labor surcharge will constitute full compensation for all payments imposed by State or Federal laws and for all other payments made to, or on behalf of, workers engaged in the performance of the Work, excluding the Actual Wages as defined above.

- Fixed Markup: A fixed markup of 15% of the sum of the actual wages paid and the labor surcharge applicable to such actual wages, together with the actual wage and labor surcharge costs described in this provision will constitute full and complete compensation for all overhead, profit, incidentals, and any and all other direct or indirect expenses associated with furnishing all labor for the Work.
2. Materials: Materials costs will be the direct costs for materials actually exhausted, consumed or entering permanently into the Work, plus a fixed markup of 15% of such direct materials costs, which, together with the direct cost of materials as described in this provision will constitute full and complete compensation for all overhead, profit, incidentals, and any and all other direct or indirect expenses associated with furnishing all materials for the Work.
  3. Equipment: All equipment used will be paid in accordance with the rates in subsection 9-1.03A(3) entitled "Equipment Rental" of the Standard Specifications, which subsection 9-1.03A(3) is made a part of this Contract, plus a fixed markup of 10% of such equipment rates, which, together with the equipment rates as described in this provision will constitute full and complete compensation for all overhead, profit, incidentals, and any and all other direct or indirect expenses associated with furnishing all equipment for the Work.
  4. Unless approved in writing in accordance with provision 4-1.02 of this Contract in advance of performance of the Work, any and all other cost impacts (including, but not limited to profit, bond premiums or fees, insurance premiums or fees, superintendent labor, clerical expenses, home office expenses, Work site office expenses, utility costs, permit costs, and licensing costs) involving items for which the Contract Documents do not specify prices, and for which no lump sum amount has been approved by the City, will constitute incidentals, full compensation for which will be deemed included in the markups for labor, material, and equipment specified above, and no additional compensation for such cost impacts will be allowed.

**3-1.18 Liability Under Unapproved Change Orders.** The Contractor will be solely responsible for any and all losses, costs, or liabilities of any kind incurred by the Contractor, any subcontractor engaged in the performance of the Work, any party supplying material or equipment for the Work or any third party that are incurred pursuant to Contractor-proposed change orders prior to issuance of an approved change order executed in accordance with this Section 3. The Contractor will have all of the obligations and the City will have all of the rights and remedies that are specified in Section 9 concerning any work or resulting losses, costs, or liabilities pursuant to a Contractor proposed change order before issuance of an approved change order executed in accordance with this Section 3.

**3-1.19 Changes Subject to Contract Documents.** Any changes in the Work and/or the Contract Documents pursuant to change orders and any other amendments issued in

accordance with the Contract Documents, including this Section 3, will in all respects be subject to all provisions of the Contract Documents, including, but not limited to, the Technical Specifications and the Project Plans, except as modified by such change orders or amendments.

### **3-1.20 Change Order Disputes.**

- a. Disputed City Directed Change Orders. If the Contractor disputes a City directed change order following a reasonable effort by the and the Contractor to resolve the dispute including, at a minimum, a meeting between appropriate representatives of the Contractor and the City, the Contractor must commence performing the Work consistent with the disputed change order within five (5) working days of the last meeting between representatives of the Contractor and the City to resolve the dispute, or within the time specified in the disputed City directed change order, whichever is later. In performing Work consistent with a disputed City-directed change order pursuant to this provision the Contractor will have all of the Contractor's rights concerning claims pursuant to the Contract Documents and applicable law.
- b. Disputed Contractor Proposed Change Orders. If the City disputes a Contractor proposed change order, the City and the Contractor will use reasonable efforts to resolve the dispute including, at a minimum, holding a meeting between appropriate representatives of the Contractor and the City. Regardless of and throughout any such efforts to resolve the dispute the Contractor must continue performing the Work irrespective of and unmodified by the disputed change order. In continuing to perform the Work, the Contractor will retain all of the Contractor's rights under contract or law pertaining to resolution of disputes and protests between contracting parties. Disputes between the City and the Contractor concerning any Contractor-proposed change order or other amendment do not excuse the Contractor's obligation to perform the Work in accordance with the Contract Documents excluding such Contractor-proposed change order or other amendment by the Time for Completion or waive any other Project milestone or other requirement of the Contract Documents.

## **SECTION 4 TRENCHING AND UTILITIES AND PROJECT FACILITIES**

**4-1.01** The Construction Safety Orders of the Division of Occupational Safety and Health shall apply to all excavations.

- a. Detailed plans of protective systems for which the Construction Safety Orders require design by a registered professional engineer shall be prepared and signed by an engineer who is registered as a Civil Engineer in the State of California, and shall include the soil classification, soil properties, soil design calculations that demonstrate adequate stability of the protective system, and any other design calculations used in the preparation of the plan.
- b. No plan shall allow the use of a protective system less effective than that required by the Construction Safety Orders.
- c. If the detailed plan includes designs of protective systems developed only from the allowable configurations and slopes, or Appendices, contained in the Construction Safety Orders, the plan shall be submitted at least 5 days before the Contractor intends to begin excavation. If the detailed plan includes designs of protective systems developed from tabulated data, or designs for which design by a registered professional engineer is required, the plan shall be submitted at least 3 weeks before the Contractor intends to begin excavation.

**4-1.02 Excavation More Than Four Feet Deep.** In accordance with California Public Contract Code Section 7104, if the Work involves excavation more than four feet deep the Contractor must promptly notify the City in writing before disturbing: any material that the Contractor believes may be hazardous waste, as defined in Section 25117 of the Health and Safety Code, that is required to be removed to a Class I, Class II or Class III disposal site in accordance with provisions of existing law; any subsurface or latent physical conditions at the Work site differing from those indicated; or any unknown physical conditions at the Work site of any unusual nature, different materially from those ordinarily encountered and generally recognized as inherent in work of the character provided for in the Contract Documents. The City will promptly investigate any such conditions for which notice is given. If the City finds that the conditions do materially differ, or involve hazardous waste, and would cause a decrease or increase in the cost or time of performance of the Work, the City will issue a change order pursuant to Section 3 of these General Provisions. If a dispute arises between the City and the Contractor concerning whether the conditions materially differ, or involve hazardous waste, or cause a decrease of increase in the cost or time of performance, the Contractor will not be excused from any completion date provided in the Contract Documents, but shall proceed with all Work to be performed. The Contractor will retain all rights under

contract or law pertaining to resolution of disputes and protests between contracting parties.

**4-1.03 Excavation of Five Feet or More.** In accordance with California Labor Code Section 6705, contractors performing contracts exceeding \$25,000 in cost and involving excavation five or more feet deep must submit for the City's acceptance, prior to excavation, a detailed plan showing the design of shoring, bracing, sloping, or other provisions to be made for worker protection from the hazard of caving ground during excavation. The detailed plan shall include any tabulated data and any design calculations used in the preparation of the plan. Excavation shall not begin until the detail plan has been reviewed and approved. If the plan varies from the shoring system standards, it must be prepared by a registered civil or structural engineer.

**4.1.04 Utility Relocation Costs.**

- a. In accordance with California Government Code Section 4215, the City assumes the responsibility for the timely removal, relocation or protection of existing main or trunkline utility facilities located on the Work site if such utilities are not identified by the City in the Technical Specifications and/or Project Plans. The City will compensate the Contractor for the costs of locating, repairing damage not due to the Contractor's failure to exercise reasonable care, and removing or relocating existing main or trunkline utility facilities located at the Work site and not identified with reasonable accuracy in the Technical Specifications and/or Project Plans. The City will also compensate the Contractor for the cost of equipment on the Project necessarily idled during such work. The Contractor will not be assessed liquidated damages for Work completion delays caused by the City's failure to provide for removal or relocation of such main or trunkline utility facilities.
- b. Nothing in this provision or the Contract Documents will be deemed to require the City to indicate the presence of existing service laterals or appurtenances whenever the presence of such utilities on the Work site can be inferred from the presence of other visible facilities, such as buildings, meter and junction boxes, on or adjacent to the Work site; provided, however, that nothing in this provision or the Contract Documents shall relieve the City from identifying main or trunklines in the Technical Specifications and/or Project Plans.
- c. Nothing in this provision or the Contract Documents will preclude the City from pursuing any appropriate remedy against the utility for delays which are the responsibility of the utility.
- d. Nothing in this provision or the Contract Documents will be construed to relieve the utility from any obligation as required either by law or by contract to pay the cost of removal or relocation of existing utility facilities.

- e. If the Contractor while performing the Work discovers utility facilities not identified by the City in the Technical Specifications and/or Project Plans, the Contractor must immediately notify the City and utility in writing.
- f. Either the City or the utility, whichever owns existing main or trunkline utility facilities located on the Work site, shall have sole discretion to effect repairs or relocation work or to permit the Contractor to perform such repairs or relocation work at a reasonable price.

#### **4-1.05 Utility and Non-Highway Facilities**

- a. The Contractor shall protect from damage utility and other non-highway facilities that are to remain in place, be installed, relocated or otherwise rearranged.
- b. It is anticipated that some or all of the utility and other non-highway facilities, both above ground and below ground, that are required to be rearranged (as used herein, rearrangement includes installation, relocation, alteration or removal) as a part of the highway improvements comprising part of the Work will be rearranged in advance of construction operations. Where it is not anticipated that the rearrangement will be performed prior to construction, or where the rearrangement must be coordinated with the Contractor's construction operations, the existing facilities that are to be rearranged will be indicated on the Project Plans or in the Special Provisions. Where a rearrangement is indicated on the Project Plans or in the Special Provisions, the Contractor will have no liability for the costs of performing the work involved in the rearrangement.
- c. The right is reserved to the City and the owners of facilities, or their authorized agents, to enter upon the highway right of way for the purpose of making those changes that are necessary for the rearrangement of their facilities or for making necessary connections or repairs to their properties. The Contractor shall cooperate with forces engaged in this Work and shall conduct operations in such a manner as to avoid any unnecessary delay or hindrance to the Work being performed by the other forces. Wherever necessary, the work of the Contractor shall be coordinated with the rearrangement of utility or other non-highway facilities, and the Contractor shall make arrangements with the owner of those facilities for the coordination of the Work.
- d. Attention is directed to the possible existence of underground main or trunk line facilities not indicated on the Project Plans or in the Special Provisions and to the possibility that underground main or trunk lines may be in a location different from that which is indicated on the Project Plans or in the Special Provisions. The Contractor shall ascertain the exact location of underground main or trunk lines whose presence is indicated on the Project Plans or in the Special Provisions, the location of their service laterals or other appurtenances, and of existing service lateral or appurtenances of any other underground facilities which can be inferred from the

presence of visible facilities such as buildings, meters and junction boxes prior to doing Work that may damage any of the facilities or interfere with their service.

- e. If the Contractor cannot locate an underground facility whose presence is indicated on the Project Plans or in the Special Provisions, the Contractor shall so notify the Engineer in writing. If the facility for which the notice is given is in a substantially different location from that indicated on the Project Plans or in the Special Provisions, the additional cost of locating the facility will be paid for as provided in Section 3.
- f. If the Contractor discovers underground main or trunk lines not indicated on the Project Plans or in the Special Provisions, the Contractor shall immediately give the Engineer and the Utility Company written notification of the existence of those facilities. The main or trunk lines shall be located and protected from damage as directed by the Engineer, and the cost of that work will be paid for as extra work as provided in Section 3. The Contractor shall, if directed by the Engineer, repair any damage which may occur to the main or trunk lines. The cost of that repair work, not due to the failure of the Contractor to exercise reasonable care, will be paid for as provided in Section 3. Damage due to the Contractor's failure to exercise reasonable care shall be repaired at the Contractor's cost and expense.
- g. Where it is determined by the Engineer that the rearrangement of an underground facility is essential in order to accommodate the highway improvement and the Project Plans and Technical Specifications do not provide that the facility is to be rearranged, the Engineer will provide for the rearrangement of the facility by other forces or the rearrangement shall be performed by the Contractor and will be paid for as provided in Section 3.
- h. When ordered by the Engineer in writing, the Contractor shall rearrange any utility or other non-highway facility necessary to be rearranged as a part of highway improvements comprising part of the Work, and that Work will be paid for as provided in Section 3.
- i. Should the Contractor desire to have any rearrangement made in any utility facility, or other improvement, for the Contractor's convenience in order to facilitate the Contractor's construction operations, which rearrangement is in addition to, or different from, the rearrangements indicated on the Project Plans or in the Special Provisions, the Contractor shall make whatever arrangements are necessary with the owners of the utility or other non-highway facility for the rearrangement and bear all expenses in connection therewith.
- j. The Contractor shall immediately notify the Engineer of any delays to the Contractor's operations as a direct result of underground main or trunk line facilities which were not indicated on the Project Plans or in the Special Provisions or were located in a position substantially different from that indicated on the Project Plans or in the Special Provisions, or as a direct result of utility or other non-highway facilities not being rearranged as herein provided (other than delays in connection with



rearrangement made to facilitate the Contractor's construction operations or delays due to a strike or labor dispute). Compensation for the delay will be determined in conformance with the provisions in Section 3.

**4-1.06 Work Site Offices.** Any Work site office facilities used by the Contractor and/or its privities must conform to all applicable codes, ordinances and regulations. The cost of such Work site office facilities shall be paid from and included in the Contract Price.

**4-1.07 City Rights of Access and Ownership.** The City and its authorized representatives will at all reasonable times while such office facilities are located at the Work site (including, at a minimum, all times during which the Work is performed), have access to any such Work site office facilities used by the Contractor and/or its privities. With respect to the right of access of the City and its authorized representatives, neither the Contractor nor its privities shall have a reasonable expectation of privacy pursuant to the Fourth Amendment to the Unites States Constitution or other applicable law concerning such Work site office facilities used by the Contractor and/or its privities. Without exception, any and all Project related materials located at such Work site facilities will be deemed at all times to be City property subject to inspection and copying by the City and its authorized representatives at all reasonable times while such facilities are located at the Work site (including, at a minimum, all times during which the Work is performed). Any interference by the Contractor or its privities with the City's rights of access and/or ownership pursuant to this Section 4 will constitute a material breach of the Agreement subject to any and all remedies available pursuant to the Contract Documents and at law and equity.

## **SECTION 5**

### **PROSECUTION AND PROGRESS OF THE WORK**

#### **5-1.01 Beginning of Work.**

- a. The Contractor shall begin Work within 10 calendar days after receiving notice to proceed from the City, and shall diligently prosecute the same to completion within the Time for completion specified in the Agreement.
- b. Should the Contractor begin Work in advance of receiving notice that the Agreement has been approved as above provided, any Work performed by the Contractor in advance of the date of approval shall be considered as having been done by the Contractor at the Contractor's own risk and as a volunteer unless the Agreement is approved.
- c. The delivery to the City for execution and approval of the Agreement properly executed on behalf of the Contractor and surety and provision of all other required documents in accordance with the Agreement shall constitute the Contractor's authority to enter upon the Work site and to begin operations, subject to the Contractor's assumption of the risk of the disapproval of the Agreement, as above provided, and subject also to the following:
  1. The Contractor shall, on commencing operations, take all precautions required for public safety and shall observe all the provisions in the Contract Documents.
  2. In the event of disapproval, the Contractor shall at the Contractor's expense do that work that is necessary to leave the site in a neat condition to the satisfaction of the Engineer. If the Work done affects any existing road or highway, the Contractor shall at the Contractor's expense restore it to its former condition, or the equivalent thereof, to the satisfaction of the Engineer.
  3. All Work done according to the Agreement prior to its approval, will, when the Agreement is approved, be considered authorized Work and will be paid for as provided in the Agreement.
  4. The Contractor shall not be entitled to any additional compensation or an extension of time for any delay, hindrance or interference caused by or attributable to commencement of Work prior to the date on which the Agreement was approved by the City.

**5-1.02 Liquidated Damages.** Time is of the essence in the Agreement. The City and the Contractor agree that it will be difficult and/or impossible to determine the actual damage which the City will sustain in the event of the Contractor's failure to fully perform the Work or to fully perform all of the Contractor's obligations that have accrued pursuant to the Agreement by the Time for Completion. Accordingly, the City and the Contractor

agree in accordance with California Government Code Section 53069.85 that the Contractor will forfeit and pay to the City liquidated damages in the sum of \$500 per day for each and every calendar day completion of the Work and/or performance of all of the Contractor's obligations that have accrued pursuant to the Agreement is delayed beyond the Time for Completion. The City and the Contractor further agree in accordance with California Government Code Section 53069.85 that the liquidated damages sum specified in this provision is not manifestly unreasonable under the circumstances existing at the time the Agreement was made, and that the City may deduct liquidated damages sums in accordance with this provision from any payments due or that may become due the Contractor under the Agreement.

**5-1.03 No Damage for Delay Beyond City and Contractor Control.** The Contractor will not be held responsible for delays in performance of the Work caused by delay beyond the control of both City and Contractor, such as by strikes, lockouts, or labor disturbances that are not within the control of the Contractor to resolve, lack or failure of transportation, or acts of other government entities. This provision will not apply where the delay would not have occurred but for a previous Contractor caused delay in the prosecution of the Work. The City will not be liable to the Contractor, any subcontractor or other entity engaged in the performance of the Work, any supplier, or any other person or organization, or to any surety or employee or agent of any of them, for damages arising out of or resulting from (i) delays beyond the control of the City and the Contractor including but not limited to fires, floods, epidemics, abnormal weather conditions, earthquakes and acts of God or acts or neglect by utility owners or other contractors performing other work, or (ii) delays caused by the City, its officials, officers, employees, agents, or volunteers, or delays caused by the Engineer or the Designer or Engineer, which delays are reasonable under the circumstances involved and/or are within the contemplation of the City and the Contractor. An extension of the Time for Performance in an amount equal to the time loss due to such delay(s) will be the Contractor's sole and exclusive remedy for such delay(s).

**5-1.04 No Damage for Contractor Caused Delay.** Contractor shall not be entitled to additional compensation for extended field or home office overhead, field supervision, costs of capital, interest, escalation charges, acceleration costs or other impacts for any delays to the extent such delays are caused by the failure of the Contractor or any subcontractor or other entity engaged in performance of the Work to perform the Work in accordance with the Contract Documents. Contractor may be eligible for additional compensation in excess of the Contract Price for delays caused by the City and/or its privities.

**No Damage for Contractor Caused Delay.** Contractor shall not be entitled to additional compensation for extended field or home office overhead, field supervision, costs of capital, interest, escalation charges, acceleration costs or other impacts for any delays to the extent such delays are caused by the failure of the Contractor or any subcontractor or other entity engaged in performance of the Work to perform the Work in accordance with the Contract Documents. Contractor may be eligible for additional

compensation in excess of the Contract Price for delays caused by the City and/or its privities.

**5-1.06 No Damage for Other Delay.** Contractor will not be entitled to damages for delay to the Work caused by the following, which the City and Contractor agree will be deemed for purposes of California Public Contract Code Section 7102 either not caused by the City, and/or within the contemplation of the City and the Contractor, and/or reasonable under the circumstances:

- a. Exercise of the City's right to sequence the Work in a manner that would avoid disruption to the City and other contractors based on: the failure of the Contractor or any subcontractor or other entity engaged in the performance of the Work to perform the Work in accordance with the Contract Documents, enforcement by the City or any other governmental agency of competent jurisdiction of any government act or regulation, or enforcement by the City of any provisions of the Agreement.
- b. Requests for clarification or information concerning the Contract Documents or proposed change orders or modifications to the Contract Documents, including extensive and/or numerous such requests for clarification or information or proposed change orders or modifications, provided such clarifications or information or proposed change orders or modifications are processed by the City or its representatives in a reasonable time in accordance with the Contract Documents.

**5-1.07 Delays Caused by the City and/or Its Privities.** Either the City or the Contractor may propose a change in the Time for Completion for delays that are purported to be caused by the City and/or its privities and that are not reasonable under the circumstances involved and/or that are not within the contemplation of the City and the Contractor. Such proposed changes in the Time for Completion will constitute change order proposals subject to Section 3. In accordance with Section 3, the City and the Contractor may agree upon pricing for the cost impacts, if any, resulting from such delays. If such pricing is in anticipation of cost impacts that may, but have not yet occurred, the City will be obligated to pay the Contractor for such anticipated impacts in accordance with the Agreement and any applicable, approved change orders only to the extent the Contractor actually incurs the anticipated cost impacts. Notwithstanding anything to the contrary in Section 3, the City and the Contractor may agree to a daily rate or cap or lump sum that will apply to the cost impacts, if any, resulting from delay purportedly caused by the City and/or its privities subject to this provision. However, if such daily rate or cap or lump sum is in anticipation of cost impacts that have not yet occurred, the City will be obligated to pay such daily rate or cap or lump sum only to the extent the Contractor actually incurs such cost impacts.

**5-1.08 Weather Delays.** Extensions of the Time for Completion will not be allowed for weather conditions that are consistent with the historical rain days reflected in historical weather data of the National Oceanographic and Atmospheric Administration (NOAA) of the U.S. Department of Commerce for the record station that is nearest or most applicable to the Work site. Extensions of the Time for Completion for delays due to adverse

weather will be allowed only if the number of rain days exceeds those that can be anticipated based on the NOAA data and the Contractor can verify to the City's reasonable satisfaction that such adverse weather caused actual delay in the timely completion of the Work. No extensions of the Time for Completion will be granted for rain days that exceed those that can be anticipated based on the NOAA data and that merely result in delays that do not or would not, themselves, result in failure to complete the Work by the Time for Completion.

**5-1.09 Delay Claims.** Whenever the Contractor claims a delay for which the Time for Completion may be extended, the Contractor must request an extension of time within five (5) days of the start of the delay. The request must be in writing and describe in detail the cause for the delay, and, if possible, the foreseeable extent of the delay.

**5-1.10 Contractor Coordination of the Work.**

- a. The City reserves the right to do other work in connection with or in the vicinity of the Project by contract or otherwise, and Contractor shall at all times conduct the Work so as to impose no hardship on the City, others engaged in the Work or other contractors working at the Work site. The Contractor will adjust, correct and coordinate the Work with the work of others so that no delays result in the Work or other work at or near the Work site.
- b. If any part of the Work depends for proper execution or results upon the work of the City or any other contractor, the Contractor will, before proceeding with such Work, promptly report to the City any apparent discrepancies or defects in such other Work. Failure of the Contractor to promptly report any apparent discrepancy or defect will be deemed an acceptance of the City's or other contractor's Work as fit and proper.
- c. The Contractor will anticipate the relations of the various trades to the progress of the Work and will ensure that required anchorage or blocking is furnished and set at proper times. Anchorage and blocking necessary for each trade shall be part of the Work except where stated otherwise.
- d. The Contractor will provide proper facilities at all times for access of the City, the Engineer, Designer, and other authorized City representatives to conveniently examine and inspect the Work.
- e. Should construction be under way by other forces or by other contractors within or adjacent to the limits of the Work specified or should work of any other nature be under way by other forces within or adjacent to those limits, the Contractor shall cooperate with all the other contractors or other forces to the end that any delay or hindrance to their work will be avoided. The right is reserved to perform other or additional work at or near the site (including material sources) at any time, by the use of other forces.

- f. When 2 or more contractors are employed on related or adjacent work, or obtain materials from the same material source, each shall conduct their operations in such a manner as not to cause any unnecessary delay or hindrance to the other.
- g. Each contractor shall be responsible to the other for all damage to Work, to persons or property caused to the other by their operations, and for loss caused the other due to unnecessary delays or failure to finish the work within the time specified for completion.

#### **5-1.11 Differing Site Conditions.**

- a. During the progress of the Work, if subsurface or latent physical conditions are encountered at the site differing materially from those indicated in the Agreement or if unknown physical conditions of an unusual nature, differing materially from those ordinarily encountered and generally recognized as inherent in the Work, are encountered at the site, the Contractor shall promptly notify the City in writing of the specific differing conditions before they are disturbed and before the affected work is performed.
- b. Upon written notification, the Engineer will investigate the conditions, and if the Engineer determines that the conditions materially differ and cause an increase or decrease in the cost or time required for the performance of any Work, an adjustment, excluding loss of anticipated profits, will be made and the Agreement modified in writing accordingly. The Engineer will notify the Contractor of the Engineer's determination whether or not an adjustment of the contract is warranted.
- c. No Agreement adjustment that results in a benefit to the Contractor will be allowed unless the Contractor has provided the written notice required in this Section 5-1.10.
- d. Any Agreement adjustment warranted due to differing site conditions will be made in accordance with the provisions in Section 3, "Changes in Work," except as otherwise provided.

#### **5-1.12 Relief From Maintenance And Responsibility.**

- a. Upon the request of the Contractor, the City may relieve the Contractor of the duty of maintaining and protecting certain portions of the Work as described below, which have been completed in all respects in accordance with the requirements of the Agreement and to the satisfaction of the Engineer, and thereafter except with the Contractor's consent, the Contractor will not be required to do further Work thereon. In addition, such action by the City will relieve the Contractor of responsibility for injury or damage to those completed portions of the Work resulting from use by public traffic or from the action of the elements or from any other cause but not from

injury or damage resulting from the Contractor's own operations or from the Contractor's negligence.

- b. However, nothing in this Section 5-1.11 providing for relief from maintenance and responsibility will be construed as relieving the Contractor of full responsibility for making good any defective Work or materials found at any time before the formal written acceptance of the entire Agreement by the City.

## **SECTION 6**

### **CONTRACTOR RESPONSIBILITIES**

**6-1.01 Eligibility.** By executing the Agreement, the Contractor certifies that the Contractor is not ineligible to perform work on public works projects pursuant to California Labor Code Sections 1777.1 or 1777.7. In accordance with California Public Contract Code Section 6109(a), contractors who are ineligible to perform work on public works projects pursuant to California Labor Code Sections 1777.1 or 1777.7 may neither bid on, be awarded or perform the Work. To the full extent permitted by law the Contractor shall hold harmless and indemnify the City from and against any and all damages, costs, and liability arising from or as a consequence of any violation of Public Contract Code Section 6109.

**6-1.02 Supervision of the Work.** The Contractor will be solely responsible for the performance of the Work, including portions of the Work to be performed by subcontractors. The Contractor is charged with ensuring that all orders or instructions from the City, Engineer or Designer are disseminated to and followed by all subcontractors engaged in performance of the Work. The Contractor will supervise the Work using the Contractor's best skill and attention. At any time during the progress of the Work, the City, the Engineer, or the Designer may require the Contractor and/or subcontractors engaged in performance of the Work to attend a project meeting and the Contractor will attend, and ensure the attendance of any subcontractors whose attendance is required by the City and/or advisable in light of the matters to be addressed at the meeting.

**6-1.03 Contractor's Superintendent.** The Contractor will keep on the Work, throughout its progress, a competent superintendent and any necessary assistants, all satisfactory to the City. The Contractor shall designate in writing before starting Work the superintendent who shall have the authority to represent and act for the Contractor. The authorized representative shall be present at the site of the Work at all times while work is actually in progress. When Work is not in progress and during periods when Work is suspended, arrangements acceptable to the Engineer shall be made for any emergency Work that may be required. Whenever the Contractor or the Contractor's authorized representative is not present on any particular part of the Work where it may be desired to give direction, orders will be given by the Engineer, which shall be received and obeyed by the superintendent or foreman who may have charge of the particular Work in reference to which the orders are given. Any order given by the Engineer, not otherwise required by the specifications to be in writing, will on request of the Contractor, be given or confirmed by the Engineer in writing. The superintendent may not be changed without the consent of the City. The superintendent will represent the Contractor and all directions given by the City to the superintendent will bind the Contractor in accordance with the Agreement. Superintendent time included in Contractor's completed bid schedule and/or in approved change orders, if any, must be included in Contractor's approved overhead rate and may not be charged as a direct cost.

**6-1.04 Competent Employees.** The Contractor must at all times enforce strict discipline and good order among the Contractor's employees and may not employ on the Work any



unfit person or anyone not skilled in the Work assigned, or anyone incompetent or unfit for the duties of that person. When the City determines that a Contractor employee does not satisfy the requirements of this provision, upon notice from the City, the Contractor must ensure that employee performs no further Work and is no longer present at the Work site. Any such Contractor employee may not again be employed on the Work without City approval. If any subcontractor or person employed by the Contractor shall appear to the Engineer to be incompetent or to act in a disorderly or improper manner, they shall be discharged immediately on the request of the Engineer, and that person shall not again be employed on the work.

**6-1.05 Items Necessary for Proper Completion of the Work.** Except as otherwise noted in the Contract Documents, the Contractor will provide and pay for all labor, materials, equipment, permits, fees, licenses, facilities and services necessary for the proper execution and timely completion of the Work in accordance with the Contract Documents.

**6-1.06 Construction Reports.** The Contractor must submit daily construction logs detailing the daily progress of the Work to the Engineer on a weekly basis.

**6-1.07 Subcontracting.**

- a. By executing the Agreement, the Contractor certifies that no subcontractor included on the list of proposed subcontractors submitted with the Contractor's bid is ineligible to perform work on public works projects pursuant to California Labor Code Sections 1777.1 or 1777.7. In accordance with California Public Contract Code Section 6109(a), subcontractors who are ineligible to perform work on public works projects pursuant to California Labor Code Sections 1777.1 or 1777.7 may neither bid on, be awarded or perform as a subcontractor on the Work. In accordance with California Public Contract Code Section 6109(b), any contract on a public works project entered into between a contractor and a debarred subcontractor is void as a matter of law. The Contractor will ensure that no debarred subcontractor receives any public money for performing the Work, and any public money that may have been paid to a debarred subcontractor for the Work is returned to the City. The Contractor will be responsible for payment of wages to workers of a debarred subcontractor who has been allowed to perform the Work.
- b. The Agreement and the performance of the Work are subject to the requirements of the Subletting and Subcontracting Fair Practices Act codified at California Public Contract Code Section 4100 and following. If the Contractor fails to specify a subcontractor or specifies more than one subcontractor for the same portion of the Work in excess of one-half of 1 percent of the Contractor's total bid, the Contractor agrees that the Contractor is fully qualified to perform that portion of the Work with the Contractor's own forces, and that the Contractor will perform that portion of the Work with the Contractor's own forces. If after award of the Agreement the Contractor subcontracts, except as provided for in California Public Contract Code Sections 4107 or 4109, any such portion of the Work, the Contractor will be subject

- to the penalties set forth in California Public Contract Code Sections 4110 and 4111, including cancellation of the Agreement, assessment of a penalty of up to 10 percent of the amount of the subcontract, and disciplinary action by the Contractors State License Board.
- c. No contractual relationship exists between the City and any subcontractor engaged in performance of the Work.
  - d. Incorporation of Contract Documents. The Contractor must incorporate the Contract Documents in each contract with a subcontractor engaged in the performance of the Work. The Contractor will be solely responsible for any delay or additional costs incurred as a result of its failure to provide adequate or accurate project information to a subcontractor that results in improper submittals and/or work, or time or other impacts is the sole responsibility of the Contractor. The Contractor will have all of the obligations and the City will have all of the remedies that are specified in Section 9 concerning any subcontracted work. Subcontracts shall also contain certification by the subcontractor that the subcontractor is experienced in and qualified to do, and knowledgeable about, the subcontracted Work. Copies of subcontracts shall be available to the Engineer upon written request, and shall be provided to the Engineer at the time any litigation against the City concerning the project is filed.
  - e. Coordination of Subcontract Work: The Contractor is responsible for scheduling the Work of subcontractors so as to avoid delay or injury to either Work or materials.
  - f. The Contractor shall give personal attention to the fulfillment of the contract and shall keep the work under the Contractor's control.
  - g. The Contractor shall perform, with the Contractor's own organization, contract work amounting to not less than 50 percent of the original total contract price, except that any designated "Specialty Items" may be performed by subcontract and the amount of any designated "Specialty Items" performed by subcontract may be deducted from the original total contract price before computing the amount of Work required to be performed by the Contractor with the Contractor's own organization. When items of work in the Engineer's Estimate are preceded by the letters (S) or (S-F), those items are designated as "Specialty Items." Where an entire item is subcontracted, the value of Work subcontracted will be based on the Agreement item bid price. When a portion of an item is subcontracted, the value of Work subcontracted will be based on the estimated percentage of the Agreement item bid price, determined from information submitted by the Contractor, subject to approval by the Engineer.
  - h. Before work is started on a subcontract, the Contractor shall file with the Engineer a written statement showing the work to be subcontracted, the names of the subcontractors and the description of each portion of the Work to be subcontracted.

- i. Pursuant to the provisions of Section 6109 of the Public Contract Code, the Contractor shall not perform Work on a public works project with a subcontractor who is ineligible to perform Work on the public works project pursuant to Section 1777.1 or 1777.7 of the Labor Code.
- j. When a portion of the Work which has been subcontracted by the Contractor is not being prosecuted in a manner satisfactory to the City, the subcontractor shall be removed immediately on the request of the City and shall not again be employed on the Work.
- k. The roadside production of materials produced by other than the Contractor's forces shall be considered as subcontracted. Roadside production of materials shall be construed to be production of aggregates of all kinds with portable, semiportable or temporary crushing or screening, proportioning and mixing plants established or reopened for the purpose of supplying aggregate or material for a particular project or projects. The erection, establishment or reopening of the plants and the operation thereof in the production of materials for use on the Work shall conform to the requirements relating to labor set forth in these General Provisions and in the Special Provisions.

#### **6-1.08 Insurance.**

Contractor shall procure and maintain for the duration of the contract insurance against claims for injuries to persons or damages to property which may arise from or in connection with the performance of the work hereunder by the Contractor, his agents, representatives, employees or subcontractors.

- a. All required insurance shall be provided in the form of "occurrence"-type policies underwritten by admitted insurers in the State of California with a rating of A:VII or better from the current year Best Rating Guide. All policies must be issued at the expense of the Contractor and must be maintained at the Contractor's expense throughout the performance of the Work.
- b. The Contractor and any subcontractors engaged in performance of the Work must secure payment of workers compensation in accordance with California Labor Code Section 3700 and other applicable law. The Contractor must verify that all Subcontractors comply with this requirement.
- c. Within ten working days following notice of award the Contractor must submit to the Agency along with executed copies of all other documents specified in the Contract Check List certificates of insurance and endorsements evidencing that the Contractor has in effect and will maintain throughout the performance of the Work the following kinds and amounts of insurance against claims for injuries to persons or damages to property which may arise from or in connection with the performance of the work hereunder by the Contractor, his agents, representatives, employees or subcontractors:

### Minimum Scope of Insurance

Coverage shall be at least as broad as:

1. Insurance Services Office Commercial General Liability coverage (occurrence form CG 0001).
2. Insurance Services Office form number CA 0001 (Ed. 1/87) covering Automobile Liability, code 1 (any auto).
3. Workers' Compensation insurance as required by the State of California and Employer's Liability Insurance.
4. **Coverage shall not extend to any indemnity coverage for the active negligence of the additional insured in any case where an agreement to indemnify the additional insurance would be invalid under Subsection (b) of Section 2782 of the Civil Code.**

### Minimum Limits of Insurance

Contractor shall maintain limits no less than:

1. General Liability: \$2,000,000 per occurrence for bodily injury, personal injury and property damage **including operations, products and completed operations**. If Commercial General Liability Insurance or other form with a general aggregate limit is used, either the general aggregate limit shall apply separately to this project/location or the general aggregate limit shall be twice the required occurrence limit.
2. Automobile Liability: \$2,000,000 per accident for bodily injury and property damage.
3. Employer's Liability: \$1,000,000 per accident for bodily injury or disease.

### Deductibles and Self-Insured Retentions

Any deductibles or self-insured retentions must be declared to and approved by the City. At the option of the City, either: the insurer shall reduce or eliminate such deductibles or self-insured retentions as respects the City, its officers, officials, employees and volunteers; or the Contractor shall provide a financial guarantee satisfactory to the City guaranteeing payment of losses and related investigations, claim administration and defense expenses.

### Other Insurance Provisions

The general liability and automobile liability policies are to contain, or be endorsed to contain, the following provisions:

1. The City, its officers, officials, employees, and volunteers are to be covered as additional insureds with respect to liability arising out of automobiles owned, leased, hired or borrowed by or on behalf of the contractor; and with respect to liability arising out of work or operations performed by or on behalf of the Contractor including materials, parts or equipment furnished in connection with such work or operations. General and auto liability coverage can be provided in the form of an endorsement to the Contractor's insurance, or as a separate owner's policy.
2. For any claims related to this project, the Contractor's insurance coverage shall be primary insurance as respects the City, its officers, officials, employees, and volunteers. Any insurance or self-insurance maintained by the

City, its officers, officials, employees, or volunteers shall be excess of the Contractor's insurance and shall not contribute with it.

3. Each insurance policy required by this clause shall be endorsed to state that coverage shall not be canceled by either party, except after thirty (30) days' prior written notice by certified mail, return receipt requested, has been given to the City.
4. **Coverage shall not extend to any indemnity coverage for the active negligence of the additional insured in any case where an agreement to indemnify the additional insured would be invalid under Subsection (b) of Section 2782 of the Civil Code.**

#### Waiver of Subrogation

The worker's compensation policy is to be endorsed with a waiver of subrogation. The insurance company, in its endorsement, agrees to waive all rights against the City, its officers, officials, employees and volunteers for losses paid under the terms of this policy which arise from the work performed by the named insured for the City.

#### Verification of Coverage

Contractor shall furnish the City with original certificates and amendatory endorsements as approved by the City effecting coverage required by this clause. The endorsements should be on forms provided by the City or on other than the City's forms, provided those endorsements or policies conform to the requirements. All certificates and endorsements are to be received and approved by the City before work commences. The City reserves the right to require complete, certified copies of all required insurance policies, including endorsements effecting the coverage required by these specifications at any time.

#### Subcontractors

Contractor shall include all subcontractors as insureds under its policies or shall furnish separate certificates and endorsements for each subcontractor. All coverage's for subcontractors shall be subject to all of the requirements stated herein.

- d. For each insurance policy required under the Agreement (except for the required workers compensation insurance policy) the Contractor must provide endorsements that add the City, its officers, officials, employees and volunteers as an additional insured. Such endorsements must: provide that the insurance required to be furnished by the Contractor will be primary as regards the Agency, and that the Agency's insurance will be excess of and not contribute to the insurance required to be furnished by the Contractor; that the Agency will receive 30 day written notice of any reduction or cancellation of such insurance required to be furnished by the Contractor; and include a severability of interest clause acceptable to the Agency. Said endorsement shall be at least as broad as Insurance Services Office form number CG2010 (Ed. 11/85).

### **6-1.09 Indemnities.**

- a. The Contractor will take all responsibility for the Work, and will bear all losses and damages directly or indirectly resulting to the Contractor, any subcontractors engaged in performance of the Work, the City, its officials, officers, employees, agents, volunteers and consultants, and to third parties on account of the performance or character of the Work, unforeseen difficulties, accidents, or occurrences of other causes predicated on active or passive negligence of the Contractor or of any subcontractor engaged in performance of the Work. To the fullest extent permitted by law the Contractor will indemnify, defend and hold harmless the City, its officials, officers, employees, agents, volunteers and consultants from and against any or all loss, liability, expense, claims, costs (including costs of defense), suits, and damages of every kind, nature and description (including, but not limited to, penalties resulting from exposure to hazards in violation of the California Labor Code) directly or indirectly arising from the performance of the Work (“Claims”).
- b. The Contractor will indemnify, defend and hold harmless the City, the City’s officials, officers, employees, volunteers, agents and the Engineer and Designer for all liability on account of any patent rights, copyrights, trade names or other intellectual property rights that may apply to the Contractor’s performance of the Work. The Contractor will pay all royalties or other charges as a result of intellectual property rights that may apply to methods, types of construction, processes, materials, or equipment used in the performance of the Work, and will furnish written assurance satisfactory to the City that any such charges have been paid.
- c. The Contractor assumes all liability for any accident or accidents resulting to any person or property as a result of inadequate protective devices for the prevention of accidents in connection with the performance of the Work. The Contractor will indemnify, defend, and hold harmless the City and its officials, officers, employees, agents, volunteers and consultants from such liability.
- d. Approval of the Contractor’s certificates of insurance and/or endorsements does not relieve the Contractor of liability under Sections 6-1.08 or 6-1.09. The Contractor will defend, with legal counsel reasonably acceptable to the City, any action or actions filed in connection with any Claims and will pay all related costs and expenses, including attorney's fees incurred. The Contractor will promptly pay any judgment rendered against the City, its officials, officers, employees, agents, volunteers or consultants for any Claims. In the event the City, its officials, officers, employees, agents, volunteers or consultants is made a party to any action or proceeding filed or prosecuted against Contractor for any Claims, Contractor agrees to pay the City, its officials, officers, employees, agents, volunteers and consultants any and all costs and expenses incurred in such action or proceeding, including but not limited to, reasonable attorneys' fees.

- e. In accordance with California Civil Code Section 2782(a), nothing in the Agreement will be construed to indemnify the City for its sole negligence, willful misconduct, or for defects in design furnished by City. In accordance with California Civil Code Section 2782(b), nothing in the Agreement will be construed to impose on the Contractor or to relieve the City from liability for the City's active negligence. By execution of the Contract Documents the Contractor acknowledges and agrees that the Contractor has read and understands the insurance and indemnity requirements of the Contract Documents, which are material elements of consideration.

**6-1.10 Licenses/Permits.** The Contractor must, without additional expense to the City, obtain all licenses, permits and other approvals required for the performance of the Work.

**6-1.11 California Labor Code Requirements.**

- a. In accordance with California Labor Code Section 1810, eight (8) hours of labor in performance of the Work shall constitute a legal day's work under the Agreement.
- b. In accordance with California Labor Code Section 1811, the time of service of any worker employed in performance of the Work is limited to eight hours during any one calendar day, and forty hours during any one calendar week, except in accordance with California Labor Code Section 1815, which provides that work in excess of eight hours during any one calendar day and forty hours during any one calendar week is permitted upon compensation for all hours worked in excess of eight hours during any one calendar day and forty hours during any one calendar week at not less than one-and-one-half times the basic rate of pay.
- c. The Contractor and its subcontractors will forfeit as a penalty to the City \$25 for each worker employed in the performance of the Work for each calendar day during which the worker is required or permitted to work more than eight (8) hours in any one calendar day, or more than forty (40) hours in any one calendar week, in violation of the provisions of California Labor Code Section 1810 et seq.
- d. In accordance with California Labor Code Section 1773.2, the City has determined the general prevailing wages in the locality in which the Work is to be performed for each craft or type of work needed to be as published by the State of California Department of Industrial Relations, Division of Labor Statistics and Research, a copy of which is on file in the Public Works Department and shall be made available on request. The Contractor and subcontractors engaged in the performance of the Work shall pay no less than these rates to all persons engaged in performance of the Work.
- e. In accordance with California Labor Code Section 1775, the Contractor and any subcontractors engaged in performance of the Work must comply with Labor Code Section 1775, which establishes a penalty of up to \$50 per day for each worker engaged in the performance of the Work that the Contractor or any subcontractor pays less than the specified prevailing wage. The amount of such penalty shall be

determined by the Labor Commissioner. The Contractor or subcontractor shall pay the difference between the prevailing wage rates and the amount paid to each worker for each calendar day or portion thereof for which each worker was paid less than the prevailing wage rate. If a subcontractor worker engaged in performance of the Work is not paid the general prevailing per diem wages by the subcontractor, the Contractor is not liable for any penalties therefore unless the Contractor had knowledge of that failure or unless the Contractor fails to comply with all of the following requirements:

- 1.The contract executed between the Contractor and the subcontractor for the performance of part of the Work must include a copy of the provisions of California Labor Code Sections 1771, 1775, 1776, 1777.5, 1813, and 1815.
- 2.The Contractor must monitor payment of the specified general prevailing rate of per diem wages by the subcontractor by periodic review of the subcontractor's certified payroll records.
- 3.Upon becoming aware of a subcontractor's failure to pay the specified prevailing rate of wages, the Contractor must diligently take corrective action to halt or rectify the failure, including, but not limited to, retaining sufficient funds due the subcontractor for performance of the Work.
- 4.Prior to making final payment to the subcontractor, the Contractor must obtain an affidavit signed under penalty of perjury from the subcontractor that the subcontractor has paid the specified general prevailing rate of per diem wages employees engaged in the performance of the Work and any amounts due pursuant to California Labor Code Section 1813.
- 5.In accordance with California Labor Code Section 1776, the Contractor and each subcontractor engaged in performance of the Work, must keep accurate payroll records showing the name, address, social security number, work classification, straight time and overtime hours worked each day and week, and the actual per diem wages paid to each journeyman, apprentice, worker, or other employee employed in performance of the Work. Each payroll record must contain or be verified by a written declaration that it is made under penalty of perjury, stating that the information contained in the payroll record is true and correct and that the employer has complied with the requirements of Sections 1771, 1811, and 1815 for any work performed by the employer's employees on the public works project. The payroll records required pursuant to California Labor Code Section 1776 must be certified and must be available for inspection by the City and its authorized representatives, the Division of Labor Standards Enforcement, and the Division of Apprenticeship Standards of the Department of Industrial Relations and must otherwise be available for inspection in accordance with California Labor Code Section 1776.



- f. In accordance with California Labor Code Section 1777.5, the Contractor, on behalf of the Contractor and any subcontractors engaged in performance of the Work, will be responsible for ensuring compliance with California Labor Code Section 1777.5 governing employment and payment of apprentices on public works contracts.
- g. In case it becomes necessary for the Contractor or any subcontractor engaged in performance of the Work to employ on the Work any person in a trade or occupation (except executive, supervisory, administrative, clerical, or other non manual workers as such) for which no minimum wage rate has been determined by the Director of the Department of Industrial Relations, the Contractor must pay the minimum rate of wages specified therein for the classification which most nearly corresponds to Work to be performed by that person. The minimum rate thus furnished will be applicable as a minimum for such trade or occupation from the time of the initial employment of the person affected and during the continuance of such employment.

**6-1.12 Laws and Ordinances.** The Contractor and all subcontractors engaged in the performance of the Work must conform to the following specific rules and regulations as well as all other laws, ordinances, rules and regulations that apply to the Work. Nothing in the Technical Specifications or Project Plans is to be construed to permit Work not conforming to these codes:

- National Electrical Safety Code, U. S. Department of Commerce
- National Board of Fire Underwriters' Regulations
- California Building Standards Code as adopted by the City
- Manual of Accident Prevention in Construction, latest edition, published by A.G.C. of America
- Industrial Accident Commission's Safety Orders, State of California
- Regulations of the State Fire Marshall (Title 19, California Code of Regulation) and Applicable Local Fire Safety Codes
- Labor Code of the State of California - Division 2, Part 7, Public Works and Public Agencies.

**6-1.13 Guaranty.** The Contractor guarantees all of the Work for one year from the date the City accepts the Work. Upon receiving written notice of a need for repairs which are directly attributable to defective materials or workmanship the Contractor must make good any defects arising or discovered in any part of the Work by diligently commencing the necessary repairs within seven (7) days from the date of notice from the City. If the Contractor fails to make good any defects in the Work in accordance with this provision, in addition to any other available remedy under the contract or at law or equity, the City may make good or have made good such defects in the Work and deduct the cost from amounts that may be due or become due the Contractor, and/or call on the Contractor's maintenance bond for the cost of making good such defects and for the City's reasonable legal costs, if any, of recovering against the bond. The Contractor will remain responsible for repairing any Work found to be defective regardless of when such defect is discovered by the City.

#### **6-1.14 Safety.**

- a. In accordance with generally accepted construction practices and applicable law, the Contractor will be solely and completely responsible for conditions of the Work site, including safety of all persons and property during performance of the Work. This requirement will apply continuously and not be limited to normal working hours. For purposes of California Labor Code Section 6400 and related provisions of law, the Contractor and the Contractor's privities and any other entities engaged in the performance of the Work will be "employers" responsible for furnishing employment and a place of employment that is safe and healthful for the employees, if any, of such entities engaged in the performance of the Work. Neither the City nor its officials, officers, employees, agents, volunteers or consultants will be "employers" pursuant to California Labor Code Section 6400 and related provisions of law with respect to the Contractor, the Contractor's privities or other entities engaged in the performance of the Work.
- b. Review and inspection by the City, the Engineer, the Designer or Engineer, and/or other representatives of the City of the Contractor's performance of the Work will not constitute review of the adequacy of the Contractor's safety measures in, on, or near the Work site. Such reviews and inspections do not relieve the Contractor of any of the Contractor's obligations under the Contract Documents and applicable law to ensure that the Work site is maintained and the Work is performed in a safe manner.
- c. The Contractor will be solely responsible for the implementation and maintenance of safety programs to ensure that the Work site is maintained and the Work is performed in a safe manner in accordance with the Contract Documents and applicable law.
- d. Within ten (10) working days following notice of award the Contractor must submit to the City a copy of the Contractor's Safety Plan.
- e. The Contractor must furnish and place proper guards and systems for the prevention of accidents, including, but not limited to, those systems required pursuant to Title 8, Section 1670 and following of the California Code of Regulations concerning safety belts and nets. The Contractor must provide and maintain any other necessary systems or devices required to secure safety of life or property at the Work site in accordance with accepted standards of the industry and applicable law. The Contractor must maintain during all night hours sufficient lights to prevent accident or damage to life or property.

#### **6-1.15 Load Limitations.**

- a. Unless expressly permitted in the Special Provisions, construction equipment or vehicles of any kind which, laden or unladen, exceed the maximum weight limitations set forth in Division 15 of the Vehicle Code, shall not be operated over completed or

existing treated bases, surfacing, pavement or structures in any areas within the limits of the project.

- b. After application of the curing seal, no traffic or Contractor's equipment will be permitted on cement treated base or lean concrete base for a period of 72 hours. After 72 hours, traffic and equipment operated on the base shall be limited to that used in paving operations and placing additional layers of cement treated base. No traffic or Contractor's equipment will be permitted on treated permeable base except for that equipment required to place the permeable base and the subsequent layer of pavement. Trucks used to haul treated base, portland cement concrete, or asphalt concrete shall enter onto the base to dump at the nearest practical entry point ahead of spreading equipment. Empty haul trucks shall exit from the base at the nearest practical exit point. Entry and exit points shall not be more than 1,000 feet ahead of spreading equipment except in locations where specifications prohibit operation of trucks outside the area occupied by the base or where steep slopes or other conditions preclude safe operation of hauling equipment. In those locations, entry and exit points shall be established at the nearest point ahead of spreading equipment permitted by specifications and allowing safe operation of hauling equipment. Damage to curing seal or base shall be repaired promptly by the Contractor, at the Contractor's expense, as directed by the Engineer.
- c. Within the limits of the project and subject to the control of the Engineer, and provided that the Contractor, at the Contractor's expense, shall provide such protective measures as are deemed necessary by the Engineer and shall repair any damage caused by the operations, the Contractor will be permitted to:
  1. Make transverse crossings of those portions of an existing public road or street that are within the highway right of way, with construction equipment that exceeds the size or weight limitations set forth in Division 15 of the Vehicle Code.
  2. Make transverse crossings of treated bases, surfacing or pavement which are under construction or which have been completed, with construction equipment which exceeds the size or weight limitations set forth in Division 15 of the Vehicle Code.
  3. Cross bridge structures that are not open to public traffic and that are designed for HS20-44 Live Loading (culverts and pipes excluded), with construction equipment which exceeds the size or weight limitations set forth in Division 15 of the Vehicle Code, but not exceeding the load limitations hereinafter specified, provided that the Contractor furnishes to the Engineer the dimensions and maximum axle loadings of equipment proposed for use on bridge structures:
    - A. The maximum loading on bridge structures due to pneumatic-tired truck and trailer combinations shall not exceed (1) 28,000 pounds for single axles, (2) 48,000 pounds for tandem axles, nor (3) 60,000 pounds total gross load for

single vehicles or 110,000 pounds total gross load for truck and trailer or semi-trailer combinations.

- B. The loading on bridge structures due to 2 and 3 axle pneumatic-tired earthmovers shall not exceed that shown in the following table.

Allowable Construction Loading On Bridges For 2 and 3 Axle Earthmovers

Spacing of Bridge Girders (center to center in feet)	Maximum Axle Loading (in pounds)
4	28,000
5	29,000
6	30,0
7	32,000
8	34,000
9	37,000
10 and over	40,000

Minimum axle spacing:  
 For 3-axle earthmovers  
     Axles 1 to 2 = 8 feet  
     Axles 2 to 3 = 20 feet  
  
 For 2-axle earthmovers  
     Axles 1 to 2 = 20 feet

- 4. Move equipment within the limits of the project over completed or existing base, surfacing, pavement and structures, whether or not open to the public.
- d. Within the limits of the project and subject to the condition that the Contractor shall repair, at the Contractor's expense, any damage caused thereby, the Contractor will be permitted to cross culverts and pipes with construction equipment that exceeds the size or weight limitations set forth in Division 15 of the Vehicle Code in accordance with the conditions set forth on the Project Plans.
- e. Should the Contractor desire to increase the load carrying capacity of a structure or structures which are to be constructed as a part of the Agreement, in order to facilitate the Contractor's own operations, the Contractor may request the Engineer to consider redesigning the structure or structures. Proposals by the Contractor to increase the load carrying capacity of structures above 130,000 pounds per single axle or pair of axles less than 8 feet apart, or above 330,000 pounds total gross vehicle weight, will not be approved. The request shall include a description of the structure or structures involved and a detailed description of the overloads to be carried, the date the revised plans would be required, and a statement that the Contractor agrees to pay all costs involved in the strengthening of the structure or structures, including the cost of revised plans, and further that the Contractor agrees that no extension of time will be allowed by reason of any delay to the work which may be due to the alteration of the structure or structures. If the Engineer determines that strengthening the structure or

structures will be permitted, the Engineer will inform the Contractor of the estimated cost of the alterations, including engineering, and the date that revised plans could be furnished. If the cost and date are satisfactory to the Contractor, the Engineer will prepare a change order providing for the agreed upon alterations.

#### **6-1.16 Public Convenience.**

- a. The Contractor shall so conduct operations as to offer the least possible obstruction and inconvenience to the public and shall have under construction no greater length or amount of Work than can be prosecuted properly with due regard to the rights of the public.
- b. Unless otherwise provided in the Special Provisions, all public traffic shall be permitted to pass through the Work with as little inconvenience and delay as possible. Where possible, public traffic shall be routed on new or existing paved surfaces.
- c. Spillage resulting from hauling operations along or across any public traveled way shall be removed immediately by the Contractor at the Contractor's expense.
- d. Existing traffic signals and highway lighting shall be kept in operation for the benefit of the traveling public during progress of the Work, and other forces will continue routine maintenance of existing systems.
- e. Construction operations shall be conducted in such a manner as to cause as little inconvenience as possible to abutting property owners.
- f. Convenient access to driveways, houses, and buildings along the line of the Work shall be maintained and temporary approaches to crossings or intersecting highways shall be provided and kept in good condition. When the abutting property owner's access across the right of way line is to be eliminated, or to be replaced under the contract by other access facilities, the existing access shall not be closed until the replacement access facilities are usable.
- g. The Contractor may be required to cover certain signs which regulate or direct public traffic to roadways that are not open to traffic. The Engineer will determine which signs shall be covered.
- h. Roadway excavation and the construction of embankments shall be conducted in such a manner as to provide a reasonably smooth and even surface satisfactory for use by public traffic at all times; sufficient fill at culverts and bridges to permit traffic to cross shall be placed in advance of other grading operations; and if ordered by the Engineer roadway cuts shall be excavated in lifts and embankments constructed part width at a time, construction being alternated from one side to the other and traffic routed over the side opposite the one under construction. Culvert installation or culvert construction shall be conducted on but one-half the width of the traveled way

- at a time, and that portion of the traveled way being used by public traffic shall be kept open and unobstructed until the opposite side of the traveled way is ready for use by traffic.
- i. Upon completion of rough grading at the grading plane, or placing any subsequent layer thereon, the surface of the roadbed shall be brought to a smooth, even condition free of humps and depressions, satisfactory for the use of public traffic.
  - j. After the surface of the roadbed has been brought to a smooth and even condition for the passage of public traffic as above provided, any work ordered by the Engineer for the accommodation of public traffic prior to commencing subgrade operations will be paid for as extra work as provided in Section 3. After subgrade preparation for a specified layer of material has been completed, the Contractor shall, at the Contractor's expense, repair any damage to the roadbed or completed subgrade, including damage caused by the Contractor's operations or use by public traffic.
  - k. While subgrade and paving operations are underway, public traffic shall be permitted to use the shoulders and, if half-width paving methods are used, shall also be permitted to use the side of the roadbed opposite the one under construction. When sufficient width is available, a passageway wide enough to accommodate at least 2 lanes of traffic shall be kept open at locations where subgrade and paving operations are in active progress.
  - l. When ordered by the Engineer, the Contractor shall furnish a pilot car and driver and flaggers for the purpose of expediting the passage of public traffic through the Work under one-way controls. At locations where traffic is being routed through construction under one-way controls and when ordered by the Engineer, the movement of the Contractor's equipment from one portion of the Work to another shall be governed in accordance with the one-way controls.
  - m. Water or dust palliative shall be applied if ordered by the Engineer for the alleviation or prevention of dust nuisance.
  - n. In order to expedite the passage of public traffic through or around the work and where ordered by the Engineer, the Contractor shall install signs, lights, flares, temporary railing (Type K), barricades and other facilities for the sole convenience and direction of public traffic. Also where directed by the Engineer, the Contractor shall furnish competent flaggers whose sole duties shall consist of directing the movement of public traffic through or around the Work. The cost of furnishing and installing the signs, lights, flares, temporary railing (Type K), barricades, and other facilities, not to be paid for as separate contract items, will be paid for as provided in Section 3.
  - o. The Contractor will be required to pay the cost of replacing or repairing all facilities installed for the convenience or direction or warning of public traffic that are lost

while in the Contractor's custody, or are damaged by reason of the Contractor's operations to such an extent as to require replacement or repair, and deductions from any moneys due or to become due the Contractor will be made to cover the cost.

- p. Whenever a section of surfacing, pavement or the deck of a structure has been completed, the Contractor shall open it to use by public traffic if the Engineer so orders or may open it to use by public traffic if the Engineer so consents. In either case the Contractor will not be allowed any compensation due to any delay, hindrance or inconvenience to the Contractor's operations caused by public traffic, but will thereupon be relieved of responsibility for damage to completed permanent facilities caused by public traffic, within the limits of that use. The Contractor will not be relieved of any other responsibility under the contract nor will the Contractor be relieved of cleanup and finishing operations.
- q. Except as otherwise provided in this Section 6.1-16 or in the Special Provisions, full compensation for conforming to the provisions in this Section 6.1-16 shall be considered as included in the prices paid for the various contract items of work and no additional compensation will be allowed therefor.

#### **6-1.17 Public Safety.**

- a. It is the Contractor's responsibility to provide for the safety of traffic and the public during construction.
- b. Whenever the Contractor's operations create a condition hazardous to traffic or to the public, the Contractor shall, at the Contractor's expense and without cost to the City, furnish, erect and maintain those fences, temporary railing (Type K), barricades, lights, signs and other devices and take such other protective measures that are necessary to prevent accidents or damage or injury to the public.
- c. Fences, temporary railing (Type K), barricades, lights, signs, and other devices furnished, erected and maintained by the Contractor, at the Contractor's expense, are in addition to any construction area traffic control devices for which payment is provided for elsewhere in the Agreement.
- d. The Contractor shall also furnish such flaggers as are necessary to give adequate warning to traffic or to the public of any dangerous conditions to be encountered.
- e. Signs, lights, flags, and other warning and safety devices and their use shall conform to the requirements set forth in Part 6 of the MUTCD and of the MUTCD California Supplement. Signs or other protective devices furnished and erected by the Contractor, at the Contractor's expense, as above provided, shall not obscure the visibility of, nor conflict in intent, meaning and function of either existing signs, lights and traffic control devices or any construction area signs and traffic control devices for which furnishing of, or payment for, is provided elsewhere in the

Agreement. Signs furnished and erected by the Contractor, at the Contractor's expense, shall be approved by the Engineer as to size, wording and location.

- f. The installation of general roadway illumination shall not relieve the Contractor of the responsibility for furnishing and maintaining any of the protective facilities herein before specified.
- g. Construction equipment shall enter and leave the highway via existing ramps and crossovers and shall move in the direction of public traffic. All movements of workmen and construction equipment on or across lanes open to public traffic shall be performed in a manner that will not endanger public traffic.
- h. The Contractor's tracks or other mobile equipment which leave a freeway lane, that is open to public traffic, to enter the construction area, shall slow down gradually in advance of the location of the turnoff to give following public traffic an opportunity to slow down.
- i. When leaving a Work area and entering a roadway carrying public traffic, the Contractor's equipment, whether empty or loaded, shall in all cases yield to public traffic.
- j. Lanes, ramps and shoulders shall be closed in accordance with the details shown on the plans, and as provided in the Special Provisions.
- k. The Contractor shall notify the Engineer not less than 18 days and not more than 90 days prior to the anticipated start of an operation that will change the vertical or horizontal clearance available to public traffic (including shoulders).
- l. Pedestrian openings through falsework shall be paved or provided with full width continuous wood walks and shall be kept clear. Pedestrians shall be protected from falling objects and curing water for concrete. Overhead protection for pedestrians shall extend not less than 4 feet beyond the edge of the bridge deck. All pedestrian openings through falsework shall be illuminated.
- m. When vertical clearance is temporarily reduced to 15 feet, or less, low clearance warning signs shall be placed in accordance with Part 2 of the MUTCD and the MUTCD California Supplement, and as directed by the Engineer. Signs shall conform to the dimensions, color, and legend requirements of the MUTCD, the MUTCD California Supplement, and these specifications except that the signs shall have black letters and numbers on an orange retroreflective background. W12-2P signs shall be illuminated so that the signs are clearly visible.
- n. No material or equipment shall be stored where it will interfere with the free and safe passage of public traffic, and at the end of each day's Work and at other times when construction operations are suspended for any reason, the Contractor shall remove all



- equipment and other obstructions from that portion of the roadway open for use by public traffic.
- o. Temporary facilities which the Contractor uses to perform the Work shall not be installed or placed where they will interfere with the free and safe passage of public traffic.
  - p. Temporary facilities which could be a hazard to public safety if improperly designed shall comply with design requirements specified in the Agreement for those facilities or, if none are specified, with standard design criteria or codes appropriate for the facility involved. Working drawings and design calculations for the temporary facilities shall be prepared and signed by an engineer who is registered as a Civil Engineer in the State of California and shall be submitted to the Engineer for approval. The submittals shall designate thereon the standard design criteria or codes used. Installation of the temporary facilities shall not start until the Engineer has reviewed and approved the drawings.
  - q. Should the Contractor appear to be neglectful or negligent in furnishing warning devices and taking protective measures as above provided, the Engineer may direct attention to the existence of a hazard and the necessary warning devices shall be furnished and installed and protective measures taken by the Contractor at the Contractor's expense. Should the Engineer point out the inadequacy of warning devices and protective measures, that action on the part of the Engineer shall not relieve the Contractor from responsibility for public safety or abrogate the obligation to furnish and pay for these devices and measures.
  - r. Provision for the payment for signs, lights, flares, temporary railing (Type K), barricades, and other facilities as provided in Section 6-1.16, "Public Convenience," or by contract item, shall in nowise relieve the Contractor from the responsibility as provided in this Section 6-1.17.
  - s. Except as otherwise provided in this Section 6-1.17 or in the special provisions, full compensation for conforming to all of the provisions in this Section 6-1.17 shall be considered as included in the prices paid for the various contract items of Work and no additional compensation will be allowed therefor.

#### **6-1.18 Preservation of Property.**

- a. Roadside trees, shrubs and other plants that are not to be removed, and pole lines, fences, signs, markers and monuments, buildings and structures, conduits, pipelines under or above ground, sewer and water lines, all highway facilities and any other improvements or facilities within or adjacent to the highway shall be protected from injury or damage, and if ordered by the Engineer, the Contractor shall provide and install suitable safeguards, approved by the Engineer, to protect the objects from injury or damage. If the objects are injured or damaged by reason of the Contractor's operations, the objects

shall be replaced or restored at the Contractor's expense. The facilities shall be replaced or restored to a condition as good as when the Contractor entered upon the Work, or as good as required by the Agreement, if any of the objects are a part of the Work. The Engineer may make or cause to be made those temporary repairs that are necessary to restore to service any damaged highway facility. The cost of the repairs shall be borne by the Contractor and may be deducted from any moneys due or to become due to the Contractor under the contract.

- b. The fact that any underground facility is not shown upon the Project Plans shall not relieve the Contractor of the responsibility under Section 4-1.05, "Utility and Non-Highway Facilities." It shall be the Contractor's responsibility, pursuant thereto, to ascertain the location of those underground improvements or facilities which may be subject to damage by reason of the Contractor's operations.
- c. Full compensation for furnishing all labor, materials, tools, equipment, and incidentals, and for doing all the Work involved in protecting or repairing property as specified in this Section 6-1.18, shall be considered as included in the prices paid for the various contract items of Work and no additional compensation will be allowed therefor.

**6-1.19 Sound Control Requirements.** The Contractor shall comply with all local sound control and noise level rules, regulations and ordinances which apply to any Work performed pursuant to the Agreement. Each internal combustion engine, used for any purpose on the job or related to the job, shall be equipped with a muffler of a type recommended by the manufacturer. No internal combustion engine shall be operated on the project without the muffler.

**6-1.20 Disposal Of Material Outside The Right Of Way.**

- a. If the Contractor elects to dispose of materials at locations other than those where arrangements have been made by the City, or, if material is to be disposed of and the City has not made arrangements for disposal of the material, the Contractor shall make arrangements for disposing of the materials outside the highway right of way and shall pay all costs involved. Arrangements shall include, but not be limited to, entering into agreements with property owners and obtaining necessary permits, licenses and environmental clearances. Before disposing of any material outside the highway right of way, the Contractor shall furnish to the Engineer satisfactory evidence that the Contractor has entered into agreements with the property owners of the site involved and has obtained the permits, licenses and clearances.
- b. When any material is to be disposed of outside the highway right of way, and the City has not made arrangements for disposal of the material, the Contractor shall first obtain written authorization from the property owner on whose property the disposal is to be made and the Contractor shall file with the Engineer the authorization or a certified copy thereof together with a written release from the property owner absolving the City from any and all responsibility in connection with the disposal of material on the property. Before any material is disposed of on the property, the Contractor shall obtain written permission from the Engineer to dispose of the material at the location designated in the

authorization. When material is disposed of as above provided and the disposal location is visible from a highway, the Contractor shall dispose of the material in a neat and uniform manner to the satisfaction of the Engineer.

- c. Where the City has made arrangements with owners of land in the vicinity of a project for the disposal of materials on an owner's property, the arrangements are made solely for the purpose of providing all bidders an equal opportunity to dispose of the materials on the property. Bidders or Contractors may, upon written request, inspect the documents evidencing the arrangements between property owners and the City. The Contractor may, if the Contractor so elects, exercise any rights that have been obtained, which may be exercised by a Contractor under the arrangements, subject to and upon the conditions hereinafter set forth.
- d. Such arrangements are not a part of the Agreement and it is expressly understood and agreed that the City assumes no responsibility to the Contractor whatsoever in respect to the arrangements made with the property owner to dispose of materials thereon and that the Contractor shall assume all risks in connection with the use of the property, the terms upon which the use shall be made, and there is no warranty or guaranty, either express or implied, as to the quantity or types of materials that can be disposed of on the property.
- e. In those instances in which the City has compiled "Materials Information" as referred to in Section 3, "Examination of Plans, Specifications, Contract, and Site of Work," of Instructions to Bidders, the compilation will include the documents setting forth the arrangement made with some of the property owners for the disposal of material on those owners' properties. The inclusion of the documents therein shall not in any respect operate as a waiver of any of the provisions in this Section 6-1.20 concerning the documents.
- f. The Contractor is cautioned to make such independent investigation and examination as the Contractor deems necessary to be satisfied as to the quantity and types of materials which may be disposed of on the property and the rights, duties and obligations acquired or undertaken under the arrangement with the property owner.
- g. Notwithstanding that the Contractor may elect to dispose of materials on any such property owner's property, no material may be disposed of on that property unless the Contractor has first either:
  - 1. Executed a document that will guarantee to hold the owner harmless from all claims for injury to persons or damage to property resulting from the Contractor's operations on the property owner's premises and also agree to conform to all other provisions set forth in the arrangement made between the City and the property owner. The document will be prepared by the Engineer for execution by the Contractor, or
  - 2. Entered into an agreement with the owner of the disposal site on any terms mutually agreeable to the owner and the Contractor; provided that the Contractor shall furnish

to the Engineer a release, in a form satisfactory to the Engineer, executed by the owner, relieving the City of any and all obligations under the City's arrangement with the owner.

- h. If the Contractor elects to dispose of material under (1), the use of the site shall be subject to the terms, conditions and limitations of the arrangement made between the property owner and the City and the Contractor shall pay those charges that are provided for in the arrangement made by the City with the property owner, and deductions will be made from any moneys due or that may become due the Contractor under the contract sufficient to cover the charges for the material disposed of.
- i. If the Contractor elects to dispose of material under (2), the Contractor shall pay those charges that are provided for in the agreement between the owner and the Contractor and deductions will not be made from any moneys due or that may become due the Contractor under the contract to cover the charges.
- j. The Engineer may require the Contractor to submit written evidence that the owner of the disposal site is satisfied that the Contractor has satisfactorily complied with the provisions of either - (1), the arrangement between the Department and the owner, or (2), the agreement between the owner and the Contractor, as the case may be.
- k. Full compensation for all costs involved in disposing of materials as specified in this Section 6-1.20, including all costs of hauling, shall be considered as included in the price paid for the contract item of work involving the materials and no additional compensation will be allowed therefor.

**6.1-21 Assignment of Unfair Business Practice Claims.** In accordance with California Public Contract Code Section 7103.5, the Contractor and any subcontractors offer and agree to assign to the City all rights, title, and interest in and to all causes of action the Contractor or any subcontractors may have under Section 4 of the Clayton Act (15 U.S.C. § 15) or under the Cartwright Act (Chapter 2 (commencing with § 16700) of Part 2 of Division 7 of the Business and Professions Code), arising from purchases of goods, services or materials pursuant to this contract. This assignment shall be made and become effective at the time the City tenders final payment to the Contractor, without further acknowledgement by the parties.

## SECTION 7 MEASUREMENT AND PAYMENT

**7-1.01 F.O.B.** All shipments must be F.O.B. destination to the Work site and/or other sites indicated in the Contract Documents. The Contract Price is all-inclusive (including sales tax). There shall be no additional compensation paid for containers, packing, unpacking, drayage or insurance. The Contract Prices includes full compensation for all taxes which the Contractor is required to pay, whether imposed by Federal, State or local government, including, without being limited to, Federal excise tax. No tax exemption certificate nor any document designed to exempt the Contractor from payment of any tax will be furnished to the Contractor by the City, as to any tax on labor, services, materials, transportation, or any other items furnished pursuant to this Agreement.

### **7-1.02 Payment.**

- a. On or about the first day of each calendar month the Contractor will submit to the Engineer a verified application for payment and schedule of values supported by a statement showing all materials actually installed during the preceding month and the cost of labor actually expended in the performance of the Work. Unless otherwise provided in the Contract Documents, no allowances or payments will be made for material or equipment not placed at the Work site. Each invoice shall contain the following certification executed by a duly authorized officer of the Contractor:

I, \_\_\_\_\_, being the \_\_\_\_\_ of \_\_\_\_\_ (Contractor), declare under penalty of perjury under the laws of the State of California, and do personally certify and attest that: I have thoroughly reviewed the attached application for payment and know its contents, and said application is made in good faith; that it is supported by truthful and accurate data; that the amount requested accurately reflects the costs incurred during the period covered by this application; and further, that I am familiar with California Penal Code section 72 and California Government Code section 12650, et seq., pertaining to false claims, and further know and understand that submission or certification of a false claim may lead to fines, imprisonment, or other severe legal consequences.

- b. To be eligible for payment, the Contractor's applications for payment must include certified payroll reports prepared in accordance with California Labor Code Section 1776 and the Agreement for each employee of the Contractor and any subcontractors engaged in the performance of the Work during the preceding months. Applications for payment will not be processed without certified payroll reports.
- c. In accordance with California Public Contract Code Section 20104.50, the City will review applications for payment as soon as practicable after receipt. Any application or part of an application that is determined to be improper will be returned to the Contractor as soon as practicable, but no later than seven days after receipt by the City, along with a written description of the reasons why the application is improper. The Contractor's

failure to submit a schedule in the time specified in Section 3-1.10 or its submission of a schedule to which the City has taken any uncorrected exception, shall serve as a basis for returning an application for payment in its entirety.

- d. Unless the Contractor has elected to post securities in lieu of retention in accordance with California Public Contract Code Section 22300 and the Agreement, and the Contractor and the City have executed an escrow agreement in accordance with Public Contract Code Section 22300 and the Agreement, the City will make progress payments to the Contractor in accordance with applicable law in the amount of ninety (90) percent of the value of the labor actually performed and the material incorporated in the Work as specified in Contractor's verified application for payment upon approval by the City's authorized representative(s). Payment of progress payments will not be construed as acceptance of the Work performed. If the Contractor has elected to post securities in lieu of retention in accordance with Public Contract Code Section 22300 and the Agreement and the Contractor and the City have executed an escrow agreement in accordance with Public Contract Code Section 22300 and the Agreement, the City will make payments to the Contractor or the Contractor's escrow agent in accordance with such escrow agreement.
- e. The City will pay the Contractor's final invoice in accordance with applicable law and this Section 7 following acceptance of the Work provided that:
  1. The Contractor has furnished evidence satisfactory to the City that all claims for labor and material have been paid, or the time for filing valid stop notices has passed and no stop notices have been filed, or all stop notices filed have been released by valid release or release bond acceptable to the City.
  2. No claim has been presented to the City by any person based upon any acts or omissions of the Contractor or any subcontractor engaged in the performance of the Work.
  3. No other claim or dispute exists under the Agreement or applicable law concerning payment of the Contractor's final invoice and/or release of the Agreement retention.
  4. The Contractor has filed with the City the Maintenance Bond provided in the Contract Documents with duly notarized signatures of an authorized representative of the Contractor and an attorney-in-fact of an admitted surety insurer acceptable to the City and such Maintenance Bond binds the Contractor as Principal and the Surety in accordance with its terms in the amount of 10% of the final Contract Price.
- f. In accordance with California Public Contract Code Section 20104.50, if the City fails to make a progress payment within thirty (30) days of receipt of an undisputed, properly submitted application for payment, the City will pay the Contractor interest equivalent to the legal rate set forth in subdivision (a) of California Code of Civil Procedure Section 685.010. The number of days available to the City to make a payment without incurring

an interest obligation pursuant to this provision and California Public Contract Code Section 20104.50 will be reduced by the number of days, if any, by which the City has delayed return of an application for payment beyond the seven day return requirement set forth in Section 7-1.02.

**7-1.03 Non-Allowable Direct Charges.** The following costs are not allowable direct charges under the Agreement. The following costs may only be paid under the Agreement, if at all, as part of any allowance for Contractor overhead and/or profit established under the Agreement.

- a. Labor costs in excess of applicable prevailing wages pursuant to the Agreement and applicable law, liability and workers compensation insurance, social security, retirement and unemployment insurance and other employee compensation and benefits pursuant to bona fide compensation plans in effect at the time specified for the opening of Project bids for Contractor and subcontractor employees engaged in the performance of the Work. However, in no event will allowable direct labor charges under the agreement include employee bonuses, employee vehicles or vehicle allowances, employee telephones or telephone allowances, or employee housing or housing allowances, whether or not such benefits are part of a bona fide compensation plan in effect at the time specified for the opening of Project bids.
- b. Superintendent labor and clerical labor.
- c. Bond premiums.
- d. Insurance in excess of that required under Section 6-1.08.
- e. Utility costs.
- f. Work Site office expenses.
- g. Home office expenses.

**7-1.04 Retention.** The City or its agent may, in accordance with the Contract Documents and applicable law, withhold any payment of monies due or that may become due the Contractor because of:

- a. Defective work not remedied or uncompleted work.
- b. Claims filed or reasonable evidence indicating probable filing of claims.
- c. Failure to properly pay subcontractors or to pay for material or labor.
- d. Reasonable doubt that the Work can be completed for the balance then unpaid.
- e. Damage to another contractor.
- f. Damage to the City.
- g. Damage to a third party.
- h. Delay in the progress of the Work, which, in the City's judgment, is due to the failure of the Contractor to properly expedite the Work.

- i. Liquidated damages or other charges that apply to the Contractor under the Agreement.
- j. Any other lawful basis for withholding payment under the contract.

**7-1.05 Securities in Lieu of Retention.**

- a. In accordance with Public Contract Code Section 22300, except where federal regulations or polices do not permit substitution of securities, the Contractor may substitute securities for any moneys withheld by the City to ensure performance of the Work. At the Contractor's request and expense, securities equivalent to the amount withheld will be deposited with the City, or with a state or federally chartered bank in California as the escrow agent, who will then pay those moneys to the Contractor under the terms of an Escrow for Security Deposit agreement. The Escrow for Security Deposit agreement is provided in the Contract Documents. Upon satisfactory completion of the Work, the securities will be returned to the Contractor.
- b. Alternatively, at the Contractor's request and expense, the City will pay retentions earned directly to the escrow agent. At the Contractor's expense, the Contractor may direct investment of the payments into securities. Upon satisfactory completion of the Work, the Contractor will receive from the escrow agent all securities, interest, and payments received by the escrow agent from the City pursuant to this provision and the terms of the Escrow for Security Deposit agreement. The Contractor will, within 20 days of receipt of payment, pay to each subcontractor the respective amount of interest earned, less costs of retention withheld from each Subcontractor, on monies withheld to ensure the Contractor's performance of the Work.
- c. Securities eligible for investment in accordance with this provision include those listed in Government Code Section 16430, bank or savings and loan certificates of deposit, interest bearing demand deposit accounts, standby letters of credit, or any other security mutually agreed to by the Contractor and the City.
- d. The Contractor will be the beneficial owner of any securities substituted for moneys withheld and will receive any interest thereon.



## **SECTION 8**

### **PROJECT ACCEPTANCE AND CLOSEOUT**

**8-1.01 Occupancy.** The City reserves the right to occupy or use any part or parts or the entire of the Work before the Work is fully performed. Subject to applicable law, exercising this right will in no way constitute acceptance of any part of the Work so occupied or used or acceptance of the entire Work, nor will such occupancy or use in any way affect the times when payments will become due the Contractor, nor will such occupancy or use in any way prejudice the City's rights under the Agreement, any Agreement bonds, or at law or equity. Occupancy or use shall not waive the City's rights to assess liquidated damages in accordance with Section 5 after the date of such occupancy or use.

**8-1.02 Work Completion and Final Inspection.** When the Contractor considers the Work is completed, the Contractor will submit written certification to the Engineer specifying that: the Contract Documents have been reviewed; the Work has been inspected for compliance with the Contract Documents; the Work has been completed in accordance with the Contract Documents; and that equipment and systems have been tested in the presence of the City's representative and are operational. The City and/or the City's authorized representatives will make an inspection to verify that the Work is complete and will notify the Contractor in writing of any incomplete or deficient Work. The Contractor will take immediate steps to remedy the stated deficiencies and give notice of correction to the Engineer. Upon receiving a notice of correction, the City or the City's authorized representatives will re-inspect the Work. The Contractor must correct all punch list items within 15 working days after the issuance of the punch list. Before acceptance of the Work the Contractor must submit: one set of the Project Record Drawings (As-Built), and any equipment operating and maintenance instructions and data, warranties.

**8-1.03 Work Acceptance.**

- a. All finished Work will be subject to inspection and acceptance or rejection by the City, the Engineer, and the Designer or other government agencies having jurisdiction over the Work. Final acceptance of the Work will be at the discretion of the City.
- b. The City will accept the Work in writing only when the Work has been completed to the City's reasonable satisfaction. Progress payments will in no way be construed as acceptance of any part of the Work
- c. In evaluating the Work, no allowance will be made for deviations from the Technical Specifications, Project Plans or other Contract Documents unless already approved in writing in accordance with the requirements of Section 3, above.
- d. The fact that the Work and materials have been inspected from time to time and that progress payments have been made does not relieve the Contractor of the

responsibility of replacing and making good any defective or omitted work or materials in accordance with the requirements of the Contract Documents.

## **SECTION 9 REMEDIES AND DISPUTES**

**9-1.01 Failure to Correct Work.** Within ten (10) working days of receiving written notice from the City describing Work that is defective or that is otherwise not in accordance with the requirements of the Agreement and/or applicable law and directing that such Work be corrected, the Contractor and/or the Contractor's sureties must give the City written notice of the intent of the Contractor and/or the Contractor's sureties to correct such Work and commence correction of such Work in accordance with the City's notice and the Agreement. If the Contractor and/or the Contractor's sureties do not give the City written notice of intent to correct such Work and commence correction of such Work within ten (10) working days of receipt of the City's notice, then the City may correct such work and/or have such work corrected for the account and at the expense of the Contractor and/or its sureties, and the Contractor and/or its sureties will be liable to the City for any resulting excess cost. The City may, in addition to all other remedies that the City may have under the Agreement and at law or equity, deduct any such excess cost of completing the Work from amounts that are due or that may become due the Contractor.

### **9-1.02 Termination.**

a. In accordance with California Public Contract Code Section 7105, in addition to all other available remedies that the City may have under the Agreement, and at law or equity, the City may terminate the Agreement:

1. If the Contractor or any of its subcontractors engaged in the performance of the Work fails to timely perform the Work and/or any of the Contractor's material obligations under the Contract Documents, including but not limited to submission of an acceptable schedule, that have accrued except for due to reasons beyond the control of the Contractor pursuant to the Contract Documents.
2. If the Contractor is adjudged bankrupt, or if it should make a general assignment for the benefit of creditors, or if a receiver should be appointed on account of its creditors.
3. If the Contractor or any of the subcontractors engaged in the performance of the Work persistently or repeatedly refuses or fails to supply enough properly skilled workmen or proper materials for the timely completion of the Work.
4. If the Contractor fails to make prompt payment to subcontractors engaged in the performance of the Work or for material or labor used in the performance of the Work in accordance with the Contract Documents and applicable law.
5. If the Contractor or any subcontractors engaged in the performance of the Work persistently disregards laws or ordinances applicable to the performance of the

Work, or the instructions of the City, the Engineer, the Designer, or other authorized representatives of the City.

6. For any reason or for no reason, at the City's sole discretion.
- b. If the City intends to terminate the Contractor's control of the Work for any of the reasons specified in Section 9-1.02(a) 1 through 5, above, the City will immediately serve written notice to the Contractor and its sureties in accordance with the Contract Documents. Notice of the City's intent to terminate the Agreement will be given by registered or certified mail and specify the grounds for termination, the required cure and the time by which the cure must be effected. Upon receipt of notice of the City's intent to terminate the Agreement for any of the reasons specified in Section 9-1.02(a) 1 through 5, the Contractor will have ten (10) days from receipt of the notice or a longer time specified in the notice to cure its default. If the Contractor does not effect the required cure by the time specified in the notice, the City will issue a written notice of termination to the Contractor and its sureties by registered or certified mail. The notice of termination will specify: that upon receipt of the notice the Contractor's right to perform or complete the Work, including on behalf of the Contractor's sureties, is terminated; that the Contractor's sureties will have the right to take over and complete the Work and perform all of the Contractor's remaining obligations that have accrued under the Agreement; and that if the Contractor's sureties do not both give the City written notice of their intention to take over and perform the Agreement and commence completion of the Work and performance of all of the Contractor's remaining obligations that have accrued under the Agreement within ten (10) days after receipt of notice of termination that the City may declare the Contractor's sureties in default and take over the completion of the Work or have the Work completed for the account and at the expense of the Contractor and its sureties, and the Contractor and its sureties will be liable to the City for any resulting excess cost. The City may, in addition to all other available remedies that the City may have under the Contract Documents and at law or equity, deduct any such excess cost of completing the Work from amounts that are due or that may become due the Contractor.
  - c. Upon termination of the Contractor's control of the Work for any of the reasons specified in Section 9-1.02(a) 1 through 5, the Contractor will, if so directed by the City, immediately remove from the Work site any and all materials and personal property belonging to the Contractor which have not been incorporated in the Work and the Contractor and its sureties will be liable upon their bond for all damages caused the City by reason of the Contractor's failure to complete the Work.
  - d. Upon termination of the Contractor's control of the Work for any of the reasons specified in Section 9-1.02(a) 1 through 5, above, the City reserves the right to refuse tender of the Contractor by any surety to complete the Work.
  - e. If the City completes or has completed any portion of, or the whole of the Work, following termination of the Contractor's control of the Work for any of the reasons

specified in Section 9-1.02(a) 1 through 5, above, the City will neither be liable for nor account to the Contractor or the Contractor's sureties in any way for the time within which, or the manner in which such Work is performed, or for any changes made in such Work or for the money expended in satisfying claims and/or suits and/or other obligations in connection with completing the Work. If, following termination of the Contractor's control of the Work for any of the reasons specified in Section 9-1.02(a) 1 through 5, above, the unpaid balance of the Contract Price exceeds the expense of completing the Work, including compensation for additional legal, managerial and administrative services and all other amounts due for the completion of the Work and/or satisfaction of claims of the City and/or others arising out of the Agreement and any other charges that apply to the Contractor under the Agreement, the difference will be paid to the Contractor. If such expenses of completing the Work exceed the unpaid balance of the Contract Price, the Contractor or its sureties will pay the difference to the City.

- f. If the Agreement or Contractor's control of the Work is terminated for any reason, no allowances or compensation will be granted for the loss of any anticipated profit by the Contractor.
  
- g. In accordance with California Government Code Section 4410, in the event a national emergency occurs, and public work being performed by contract is stopped, directly or indirectly, because of the freezing or diversion of materials, equipment or labor, as the result of an order or a proclamation of the President of the United States, or of an order of any federal authority, and the circumstances or conditions are such that it is impracticable within a reasonable time to proceed with a substantial portion of the Work, then the City and the Contractor may, by written agreement, terminate the Agreement. In accordance with California Government Code Section 4411, such an agreement will include the terms and conditions of the termination of the contract and provision for the payment of compensation or money, if any, which either party will pay to the other or any other person, under the facts and circumstances in the case. Compensation to the Contractor will be determined on the basis of the reasonable value of the Work done, including preparatory Work. As an exception to the foregoing, in the case of any fully completed separate item or portion of the Work for which there is a separate contract price, the Contract Price shall control. The parties may in any other case adopt the Contract Price as the reasonable value of the Work or any portion of the Work done.

### **9-1.03 Contractor Claims for Extra Costs and Time Extensions**

- a. General. The parties intend by this section that differences between the parties, arising under and by virtue of the Contract, be brought to the attention of the Engineer at the earliest possible time in order that such matters may be settled, if possible, or other appropriate action promptly taken.
  
- b. Definition. A claim for purposes of this section means a separate demand by the Contractor for (i) a time extension, (ii) payment of money or damages arising from work

done by, or on behalf of, the Contractor and payment of which is not otherwise expressly provided for or the claimant is not otherwise entitled to, or (iii) an amount the payment of which is disputed by the City.

- c. Tort Claims. The provisions of this section apply only to contract claims and they do not apply to tort claims, and nothing in this section is intended nor shall be construed to change the time periods for filing a tort claim or lawsuit specified by chapter 1 (commencing with section 900) and chapter 2 (commencing with section 910) of part 3 of division 3.6 of title 1 of the Government Code.
- d. Waiver. Contractor agrees that it shall not be entitled to any additional time to complete work or the payment of any additional compensation for any claim, cause, act, failure to act, or happening of any event, thing or occurrence, unless it shall have given the Engineer timely and due written notice of the claim pursuant to this section. The Contractor shall not be entitled to any additional compensation for claimed extra work until and unless either a Change Order has been issued or a claim has been timely filed and approved pursuant to this section. If the Contractor fails to file a written claim within the claim deadline of this section, then the Contractor agrees that it shall have waived any right or remedy to thereafter pursue the claim against the City in any administrative, arbitration or litigation proceeding.
- e. Informal Claims Resolution. The parties agree to strive to resolve all disputes amicably and in an informal manner. Any dispute resolved informally shall be documented by the Engineer, and if the dispute resolution involves a change in the contract work, increase or decrease in the compensation due the contractor, and/or adjustment in the time of completion of the work, then the informal dispute resolution shall be confirmed by a Change Order. Informal discussions and/or negotiations with the Engineer or other City representatives concerning informal resolution of a dispute shall not toll or suspend the claim filing deadlines provided below, unless so provided by the Engineer in writing.
- f. Deadlines for Filing of Claim. Subject to the terms, conditions and deadlines of this section, the Contractor may file a claim with the Engineer. A claim must be submitted to the Engineer as follows: (i) if a deadline is set forth in the Contract Documents for filing of the particular claim, then the claim must be filed by the specified time; (ii) if the claim relates to extra, additional or unforeseen work for which the Contractor intends to demand additional compensation or a time extension, notice shall be given to the Engineer prior to the time that the Contractor commences performance of the work giving rise to the potential claim for additional compensation or time extension, and Contractor shall not proceed with said work until so directed by the Engineer; and (iii) for all other claims not included within (i) or (ii) above, the claim must be filed on or before 15 days after occurrence of the event giving rise to the claim. In no event shall claims be filed later than the date of final payment.
- g. Required Contents of Claim. The claim must be in writing and shall set forth in detail the reasons for which the Contractor believes additional compensation or a time extension will or may be due, the nature of the costs involved, and, insofar as possible, the amount

of the claim. The claim shall also include the documents necessary to substantiate the claim. Any claim submitted to the City by the Contractor shall have attached the following certification executed by an officer of the Contractor:

- I, \_\_\_\_\_, being the \_\_\_\_\_ of \_\_\_\_\_ (Contractor), declare under penalty of perjury under the laws of the State of California, and do personally certify and attest that: I have thoroughly reviewed the attached claim and know its contents, and said claim is made in good faith; that it is supported by truthful and accurate data; that the amount requested accurately reflects the contract adjustment for which the Contractor believes the City is liable; and further, that I am familiar with California Penal Code section 72 and California Government Code section 12650, et seq., pertaining to false claims, and further know and understand that submission or certification of a false may lead to fines, imprisonment, or other severe legal consequences.
- h. Contract Work Pending Claim Resolution. Unless otherwise directed in writing by the Engineer, pending resolution of a claim under this section, the Contractor shall continue to diligently prosecute the Contract work in accordance with the Contract Documents and the instructions of the Engineer.
  - i. Processing of Claims by City. Except as otherwise specifically provided in the Contract Documents, the Engineer initially will decide all claims of the Contractor and all disputes arising under and by virtue of the Contract. All such decisions of the Engineer shall be final unless disputed by the Contractor in accordance with subsection (k) or subsection (n), as appropriate. If the Contractor fails to dispute the Engineer's decision on the matter in accordance with subsection (k) or (n), then Engineer's decision shall be final, conclusive and binding, and the Contractor shall be deemed to have waived all its rights to further protest, judicial or otherwise. Any claim for a time extension or claim for money or damages of less than \$375,000 (i.e., any claim subject to Public Contract Code section 20104) shall be processed by the City and resolved in accordance with subsections (j) to (m). Any claim for money or damages of more than \$375,000 (i.e., any claim not subject to Public Contract Code section 20104) shall be processed by the City and resolved in accordance with subsection (n).
  - j. City Response to Claim.
    - 1. For a claim for a time extension or claim for money or damages of less than \$50,000, the Engineer shall respond in writing to any written claim within 45 days of receipt of the claim by the Engineer, or may request, in writing, within 30 days of receipt of the claim, any additional documentation supporting the claim or relating to defenses to the claim the City may have against the Contractor. If additional information is thereafter required, it shall be requested and provided pursuant to this section, upon mutual agreement of the Engineer and the Contractor. The Engineer's written response to the claim, as further documented, shall be submitted to the Contractor within 15 days after

receipt of the further documentation or within a period of time no greater than that taken by the Contractor in producing the additional information, whichever is greater.

2. For claims of over \$50,000 and less than or equal to \$375,000, the Engineer shall respond in writing to all written claims within 60 days of receipt of the claim, or may request, in writing, within 30 days of receipt of the claim, any additional documentation supporting the claim or relating to defenses to the claim the City may have against the Contractor. If additional information is thereafter required, it shall be requested and provided pursuant to this section, upon mutual agreement of the Engineer and the Contractor. The Engineer's written response to the claim, as further documented, shall be submitted to the Contractor within 30 days after receipt of the further documentation, or within a period of time no greater than that taken by the Contractor in producing the additional information or requested documentation, whichever is greater.

k. Meet and Confer. If the Contractor disputes the Engineer's written response, or the Engineer fails to respond within the time prescribed, the Contractor may so notify the City, in writing, either within 15 days of receipt of the Engineer's response or within 15 days of the Engineer's failure to respond within the time prescribed, respectively, and demand an informal conference to meet and confer for settlement of the issues in dispute. Upon a demand, the City shall schedule a meet and confer conference within 30 days for settlement of the dispute.

l. Government Code Claim. Following the meet and confer conference, if the claim or any portion remains in dispute, the Contractor may file a claim as provided in chapter 1 (commencing with section 900) and chapter 2 (commencing with section 910) of part 3 of division 3.6 of title 1 of the Government Code. For purposes of those provisions, the running of the period of time within which a claim must be filed shall be tolled from the time the Contractor submits a timely written claim pursuant to subsection 5.4.5 until the time that the claim is denied as a result of the meet and confer process, including any period of time utilized by the meet and confer process; provided that if the Contractor fails to demand a meet and confer conference within the applicable 15 day period, then the Contractor shall be deemed not to dispute the Engineer's written response to the claim and any tolling of the running of the period of time within which a Government Code claim must be filed (see Public Contract Code section 20104.2(e)) shall cease upon expiration of the applicable 15 day period.

m. Special Litigation Provisions. The following provisions shall apply to all civil actions filed to resolve claims subject to Public Contract Code section 20104 (i.e., any claim for a time extension or claim for money or damages of less than \$375,000).

1. Mediation. Within 60 days, but no earlier than 30 days, following the filing of responsive pleadings, the court shall submit the matter to non-binding mediation unless waived by mutual stipulation of both parties. The mediation process shall provide for the selection within 15 days by both parties of a disinterested third person as mediator, shall be commenced within 30 days of the submittal, and shall be concluded within 15 days from the commencement of the mediation unless a time requirement is extended upon a



good cause showing to the court or by stipulation of both parties. If the parties fail to select a mediator within the 15-day period, any party may petition the court to appoint the mediator.

2. Arbitration. If the matter remains in dispute, the case shall be submitted to judicial arbitration pursuant to chapter 2.5 (commencing with section 1141.10) of title 3 of part 3 of the Code of Civil Procedure, notwithstanding section 1141.11 of that code. The Civil Discovery Act of 1986 (article 3 (commencing with section 2016) of chapter 3 of title 3 of part 4 of the Code of Civil Procedure) shall apply to any proceeding brought under this subdivision consistent with the rules pertaining to judicial arbitration. Notwithstanding any other provision of law, upon stipulation of the parties, arbitrators appointed for purposes of this article shall be experienced in construction law, and, upon stipulation of the parties, mediators and arbitrators shall be paid necessary and reasonable hourly rates of pay not to exceed their customary rate, and such fees and expenses shall be paid equally by the parties, except in the case of arbitration where the arbitrator, for good cause, determines a different division. In no event shall these fees or expenses be paid by state or county funds. In addition to chapter 2.5 (commencing with section 1141.10) of title 3 of part 3 of the Code of Civil Procedure, any party who after receiving an arbitration award requests a trial de novo but does not obtain a more favorable judgment shall, in addition to payment of costs and fees under that chapter, pay the attorney's fees of the other party arising out of the trial de novo.

3. Witnesses. The court may, upon request by any party, order any witnesses to participate in the mediation or arbitration process.

4. Payment of Undisputed Claims. The City shall not fail to pay money as to any portion of a claim that is undisputed except as otherwise provided in the Contract Documents.

5. Interest. In any suit filed under this section 5.5, the City shall pay interest at the legal rate on any arbitration award or judgment. The interest shall begin to accrue on the date the suit is filed in a court of law.

n. Large Claim Resolution. For any claim for money or damages of more than \$375,000 (i.e., any claim not subject to California Public Contract Code section 20104), the following provisions shall apply:

1. City Response to Claim. The Engineer shall respond in writing to the written claim within 60 days of receipt of the claim, or may request, in writing, within 30 days of receipt of the claim, any additional documentation supporting the claim or relating to defenses to the claim that the City may have against the Contractor. If additional information is thereafter required, it shall be requested and provided pursuant to this section, upon mutual agreement of the Engineer and the Contractor. The Engineer's written response to the claim, as further documented, shall be submitted to the Contractor within 30 days after receipt of the further documentation.

2. Meet and Confer. If the Contractor disputes the Engineer's written response, or the Engineer fails to respond within the time prescribed, the Contractor may so notify the City, in writing, either within 15 days of receipt of the Engineer's response or within 15 days of the Engineer's failure to respond within the time prescribed, respectively, and demand an informal conference to meet and confer for settlement of the issues in dispute. Upon a demand, the City shall schedule a meet and confer conference within 30 days for settlement of the dispute.

3. Lawsuit on the Claim. Following the meet and confer conference, if the claim or any portion remains in dispute, the Contractor may, within six months from the date of the last meet and confer conference, file a lawsuit on the claim. If the Contractor fails to demand a meet and confer conference as described in subsection (n)(2), the Contractor may, within six months from the date of the Engineer's written response, file a lawsuit on the claim. If the Contractor fails to file a lawsuit within whichever six-month period is applicable, then the City's written response to the claim shall be final, conclusive and binding on the Contractor, and the Contractor agrees that it thereafter shall be barred from filing a lawsuit on the claim.



# TECHNICAL SPECIFICATIONS

For

## FOREST GLEN LIFT STATION REHABILITATION PROJECT

June 2017

Prepared By:

  
Dane H. Schilling, RCE 56908



30 JUNE 2017  
Date:



**COASTLAND CIVIL ENGINEERING, INC.**  
11865 Edgewood Road  
Auburn, CA 95603  
(530) 888-9929

## **SECTION 10 SPECIAL PROVISIONS**

### **10-1 GENERAL**

#### **10-1.01 GOVERNING DOCUMENTS**

All work shall be governed by and done in accordance with the following:

- a. Contract Documents, consisting of the Notice Inviting Bids, Bidder's Proposal, Affidavits, Bid Bond, Designation of Subcontractors, Experience and Financial Qualifications, Faithful Performance Bond, Labor and Materials Bond, Defective Material and Workmanship Bond, Construction Contract, Insurance Certificates and Endorsements, Guarantee, these Special Provisions, Technical Specifications, and Addenda, if any.
- b. City of Wheatland Public Works Construction Standards.
- c. State of California Business and Transportation Agency, Department of Transportation (CALTRANS), Standard Plans and Specifications, latest edition, -- hereinafter called State Plans and/or State Specifications.

Any and all work and requirements called for in any one or more of the above listed documents shall be deemed to be called for in all.

These Contract Documents shall govern over conflicting provisions and requirements of the Standard Specifications and Drawings.

In the event of any conflict, doubt, or questions arising with respect to the true meaning of the above listed documents, reference shall be made to the Town Engineer/Director of Public Works and his decision shall be final.

#### **10-1.02 GENERAL DESCRIPTION OF WORK**

In General, the Project consists of the removal old system. Install two new stainless steel guide bars per pump, stainless steel upper guide brackets, intermediate guide rail brackets and stainless steel lifting cables. Replace four-inch diameter ductile iron pipe, with class 125 flange and compression couplings, two four-inch gate valves and two four-inch check valve (swing type). Remove and replace two four-inch discharge Flygt NP -3102 pumps with copper impellers 60 HRC, 5HP and 3 phase motor, with stainless steel lifting bails. Construct a four-inch by-pass connection, four-inch wye, four-inch gate valve and four-inch quick connect to the force main in the existing valve box for a connection to a portable pump. Items need to be verified in field.

When constructing the by-pass, pumping to an existing manhole would be allowed. Lift station can be six (6) to eight (8) hours maximum out of services, therefore coordination would be required with the City of Wheatland Public Works Director.

The unit price bid for each item shall be full compensation for furnishing all labor, materials, tools, equipment, and incidentals, and for doing all the work involved in the bid item.

#### 10-1.03 BEGINNING OF WORK

The Contractor shall commence work within 10 working days issuance of a Notice to Proceed. The date of the Notice to Proceed shall be considered the first day of work for the purpose of counting working days.

#### 10-1.04 TIME FOR COMPLETION

The time allowed for completion of the work shall be per the schedule shown below:

Base Bid – 45 Working Days.

#### 10-1.05 LIQUIDATED DAMAGES

If the work required under this contract is not completed within the time specified for completion, Liquidated Damages in the amount of **\$200 per day** shall be assessed as set forth in Section 8-1.07 of the State Specifications.

#### 10-1.06 CONTRACTOR'S INSURANCE

The Contractor's attention is directed to Section 21 of the Construction Contract for Contractor's insurance requirements.

#### 10-1.07 PAYMENT FOR EXTRA WORK

When payment is made on a force account basis the amount shall be determined in accordance with Sections 9-1.03 through 9-1.03D of the State Specifications, except that actual payroll taxes and required contributions will be used in lieu of the labor surcharge specified in Section 9-103A (1b).

#### 10-1.08 SCHEDULE OF WORK

Prior to the commencement of work the contractor shall furnish a schedule stating the order and tentative dates in which the work will be performed. This schedule shall be updated on a day-to-day basis and the Contractor shall organize his work to minimize the disruption of normal traffic flow and parking.

#### 10-1.09 PRECONSTRUCTION CONFERENCE

After the Contractor's schedule of work is submitted and prior to the start of work a preconstruction conference will be held to work out an integrated order of work and to provide for traffic control and public safety during construction.

#### 10-1.10 COOPERATION AND COORDINATION WITH PROPERTY OWNERS

The Contractor shall schedule his work to minimize inconvenience or disruption of residences during the course of the work. Any private property which is disturbed by the work shall be repaired to its original condition and to the satisfaction of the Public Works Manager. The cost of said repairs shall be included in the prices paid for the various items of work and no extra compensation shall be allowed therefore.

#### 10-1.11 WORKING HOURS

The Contractor shall schedule his work to occur only from 7 a.m. to 5 p.m. on Monday to Friday. Deviations from this restriction shall be approved in writing by the Engineer.

#### 10-1.12 AUTHORITY OF THE CITY ENGINEER

The City Engineer shall decide all questions which may arise as to the quality and acceptability of the final work product and shall decide all questions which may arise as to the interpretations of the plans and specifications, and all questions as to the acceptable fulfillment of the contract on the part of the Contractor and as to compensation. His decision shall be final.

#### 10-1.13 PROJECT RECORD DOCUMENTS

The Contractor shall markup clearly and legibly one set of paper prints to show the As-Built conditions. They shall include all information as shown on the contract set of clean drawings and a record of all deviation, modifications, or changes from those drawings, however minor, which were incorporated in the work, all additional work not appearing on the contract drawings and all changes which are made after the final inspection of the contract work. These As-Built marked prints shall be kept current and available on the job site at all times. All changes from the contract plans which are made in the work or additional information which might be uncovered in the course of construction shall be accurately and neatly recorded as they occur by details and notes. No construction work shall be concealed until it has been inspected, approved and recorded. The As-Built marked prints will be jointly inspected for accuracy and completeness by the Agency Engineer's representative and a responsible representative of the construction contractor prior to submission of the monthly pay estimate. Failure to keep the As-Built marked prints on a current basis shall be sufficient justification to suspend progress payments. The drawings shall show the following information, if applicable, but not be limited thereto:

1. The location of any utility lines or other installations of any kind or description known to exist within the construction area. The location includes dimensions to permanent features.
2. The location and identification of all surface installations within 10 feet of the construction area.
3. The location and dimensions of any changes within the building or structure.
4. Correct grade or alignment of roads, structures, or utilities if any changes were made from contract plans.

5. Correct elevations if changes were made in site grading.
6. Change in details of design or additional information obtained from working drawings specified to be prepared or furnished by the Contractor including but not limited to fabrication, erection, installation plans and placing details, pipe sizes, insulation material, dimensions of equipment foundations, etc.
7. The topography and grades of all drainage installed or affected as part of the project construction.
8. All changes or modifications which result from the final inspection.

The As-Built marked prints shall be delivered to the Agency Engineer at the time of final inspection for his review and approval. All approval and acceptance of As-Built drawings shall be accomplished before final payment is made to the Contractor.

#### 10-1.14 EXISTING FACILITIES

Attention is directed to Section 8-1.10 of the State Specifications and these special provisions.

It is not the intent of the plans to show the exact locations of existing underground utilities or structures and the agency Engineer assumes no responsibility therefore. Whenever any such utilities are indicated thereon the Contractor shall be responsible for verifying their actual location and depth in the field, by potholing if necessary. The Contractor shall be responsible for any damage to utilities shown on the plans, or as specified herein, as a result of his operations.

Existing utilities in the easements on private property are not shown on the plans; the contractor shall be responsible for locating said utilities prior to any construction and shall keep said utilities continuously functioning during the course of the work. If the Contractor for his own reasons needs to shut off or relocate any of said utilities, the Contractor shall give advance notice to and coordinate with the owner of the property and the occupant.

Equipment operating under electric and communications lines shall observe minimum clearance from the lines, and all other requirements, as set forth in Article 86 of the Electrical Safety Orders of the State Division of Industrial Safety and Pacific Bell requirements.

If applicable the Contractor shall keep the existing drainage system and sanitary sewer system fully functional at all times. If the Contractor for his own reasons desires to block off any portion of these systems, he shall construct a bypass system capable of handling the flow. This bypass system, if constructed, will be for the convenience of the Contractor and shall be constructed at his own expense.

The Contractor shall exercise care not to damage existing property including but not limited to trees, shrubs and landscaping outside the work area. Any damage caused by the contractor shall be replaced by the Contractor at his expense.

Prior to commencing any excavation, the Contractor shall notify underground service alert of Northern/Central California and Nevada (USA North) at 811 or USANorth.org

at least three (3) days in advance of performing any excavation work. Full compensation for complying with the above provisions shall be considered as having been included in the price paid for various contract items of work and no separate payment will be made thereafter.

#### 10-1.15 MATERIALS AND WORKMANSHIP

a. General

All materials and workmanship shall be in accordance with these Contract Documents, The County Standard Drawings and Specifications, and the State Plans and Specifications as defined in Section 100 of these Special Provisions.

b. Traffic Control Plan, Flaggers, Written Notice, & Signing

As part of its efforts to offer the least possible obstruction and inconvenience to the public, the Contractor shall perform the following tasks:

In order to expedite the passage of public traffic through or around the work and where ordered by the Engineer, the Contractor shall install signs, lights, flares, and barricades, and shall furnish a minimum of two flaggers for the sole convenience and direction of public traffic. Also where directed by the Engineer, the Contractor shall provide and station competent flaggers whose sole duty shall consist of directing the movement of traffic through and around the work. Where directed by the Engineer, the flaggers shall be equipped with two-way radios.

The Contractor shall hand deliver a written notice, approved by the Director of Public Works/Town Engineer, to all residences and/or businesses fronting each Work location, and as may be indicated on the plans, detailing the scope and time schedule for upcoming Work. This notice shall be delivered five (5) calendar days prior to commencing Work at any particular location.

Streets shall be posted with temporary "NO PARKING" signs. Signs shall be supplied by the Contractor and shall clearly indicate the date and hours that parking will not be allowed. Signs shall be posted 48 hours in advance of parking restrictions.

A Traffic Control Plan and the written notice to residents shall be submitted to the Consulting Engineer for approval a minimum of seven (7) calendar days prior to proposed commencement, consistent with the following:

1. At a minimum the traffic control plan shall show the dates and times for each section of work to be performed. It shall show the type, quantity and location of signs, barricades and all other traffic control devices to be placed. For the placement of the asphalt pavement overlay, it shall also show the direction in which the work will proceed for a particular street or streets.

#### 10-2 TEMPORARY CONSTRUCTION AREA SIGNS



**10-2.01 Description:** Construction area signs are required for the direction of public vehicle and pedestrian traffic through or around the work during construction.

Construction area signs shall be furnished, installed, maintained and removed when no longer required in accordance with the provisions in Section 12, "Temporary Traffic Control," of the Standard Specifications and these Special Provisions. Sections 7-1.08, "Public Conveniences," and 7-1.09, "Public Safety," of the Standard Specifications set forth the Contractor's responsibilities for public convenience and public safety are hereby incorporated in these Special Provisions as if set forth in full and are considered to be part of the contract requirements.

Construction area signs shall not be used until they are needed and when no longer needed they shall be removed from the site of the work.

**10-2.02 Measurement and Payment:** No separate measurement or payment will be made for Construction Area Signs. Full compensation for furnishing all labor, materials, tools, equipment and incidentals, and for doing all the work involved including, but not limited to, erecting, covering and uncovering as required, maintaining and removing construction area signs will be considered as included in the lump sum price paid for Traffic Control System and no additional compensation will be allowed.

## **10-3 EXISTING FACILITIES**

**10-3.01 Existing Highway Facilities:** The work performed in connection with various existing highway facilities shall conform to the provisions in Section 15, "Existing Highway Facilities," of the Standard Specifications and these Special Provisions.

Attention is directed to the section entitled, "Existing Utilities," elsewhere in these Special Provisions.

**10-3.02 Removal of Miscellaneous Items:** Various items shown on the Plans to be removed will be completely removed and disposed of.

No separate payment shall be made for the various items to be removed unless specified and listed in the Bid Schedule.

Full compensation for conforming to the requirements of this section shall be considered as included in the contract prices paid for the various contract items of work and no additional compensation will be allowed.

**10-3.03 Sawcutting:** Where no joint exists in concrete or asphalt concrete to be removed and concrete or asphalt concrete to remain in place, the concrete or asphalt concrete shall be cut in neat lines to a minimum depth of 0.58 foot with a power driven saw before the concrete or asphalt concrete is removed.

Full compensation for sawcutting shall be considered as included in the contract prices for the various contract items of work requiring sawcutting and no additional compensation will be allowed.

## **10-4 THROUGH 10-8 (NOT USED)**

### **10-9 MOBILIZATION**

**10-9.01 Mobilization:** Mobilization shall conform to the provisions in Section 11, "Mobilization," of the Standard Specifications and these Special Provisions.

Mobilization shall include the obtaining of all permits, moving onto the site of all equipment, temporary buildings, if needed, and other construction facilities as required for the proper performance and completion of the work.

Mobilization shall include but not be limited to the following principal items:

1. Signed Contract by the City and the Contractor.
2. Completion of all tasks and submittal of all documents (bonds, insurance, schedule, etc.) required as conditions of issuing the Notice to Proceed.
3. Moving onto the site of all Contractor's equipment required for operations.
4. Installing temporary construction water supply, power, wiring and lighting facilities, as required.
5. Providing field office trailers if needed by the Contractor.
6. Providing all on-site communication facilities, including telephones and radio pagers.
7. Obtaining all required permits.
8. Having all OSHA required notices and establishment of safety programs.
9. Attendance at Pre-Construction Conference of Contractor's principal construction personnel.

10. Physical verification (potholing) of existing utilities.
11. Beginning work on the project or at the subject site as applicable.

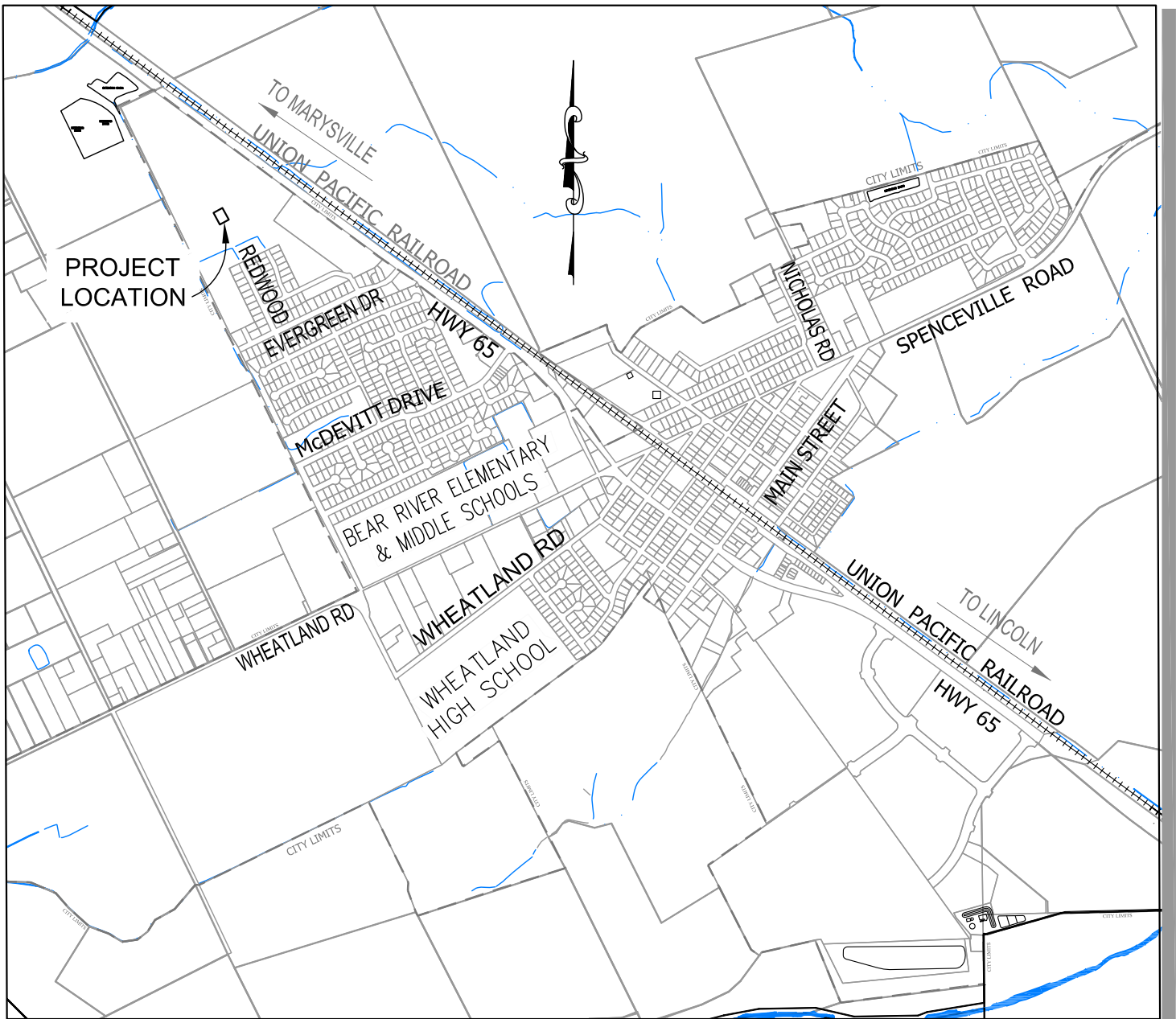
**10-9.02 Measurement and Payment:** No separate measurement or payment will be made for Mobilization and no additional compensation will be allowed.

**EXHIBITS**



CITY OF WHEATLAND  
YUBA COUNTY, CALIFORNIA

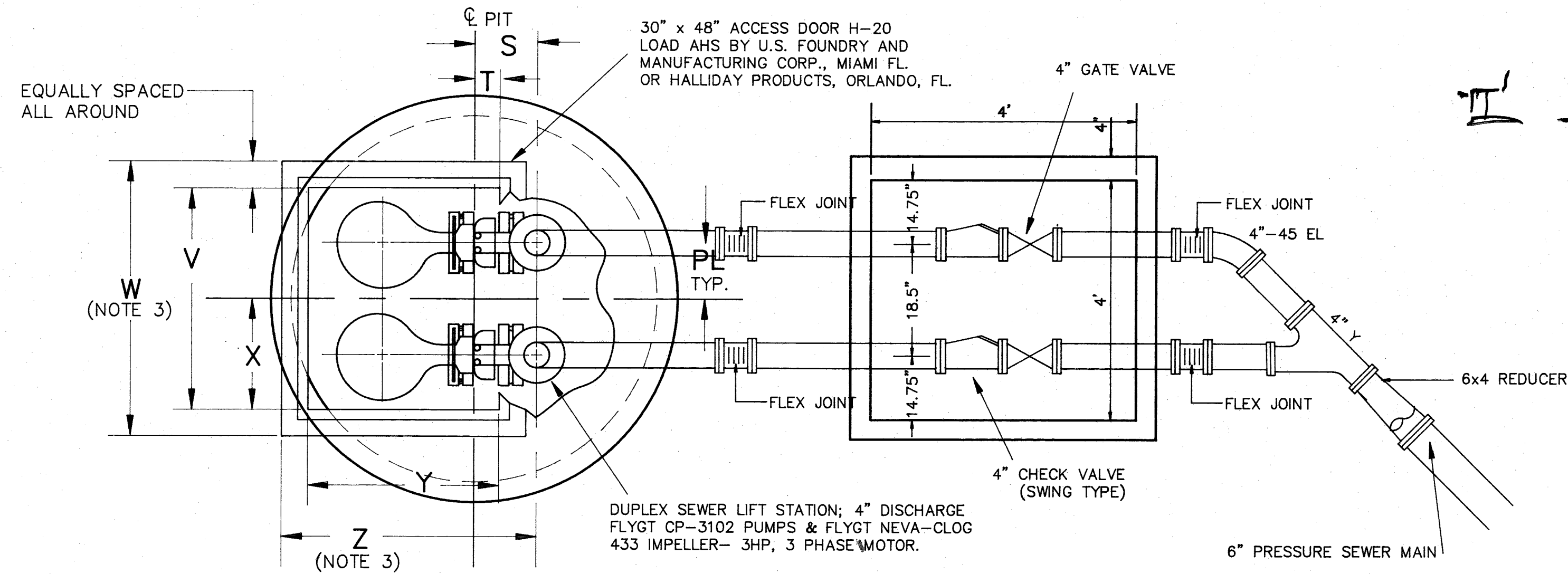
# FOREST GLEN LIFT STATION REHABILITATION PROJECT



LOCATION MAP  
NOT TO SCALE

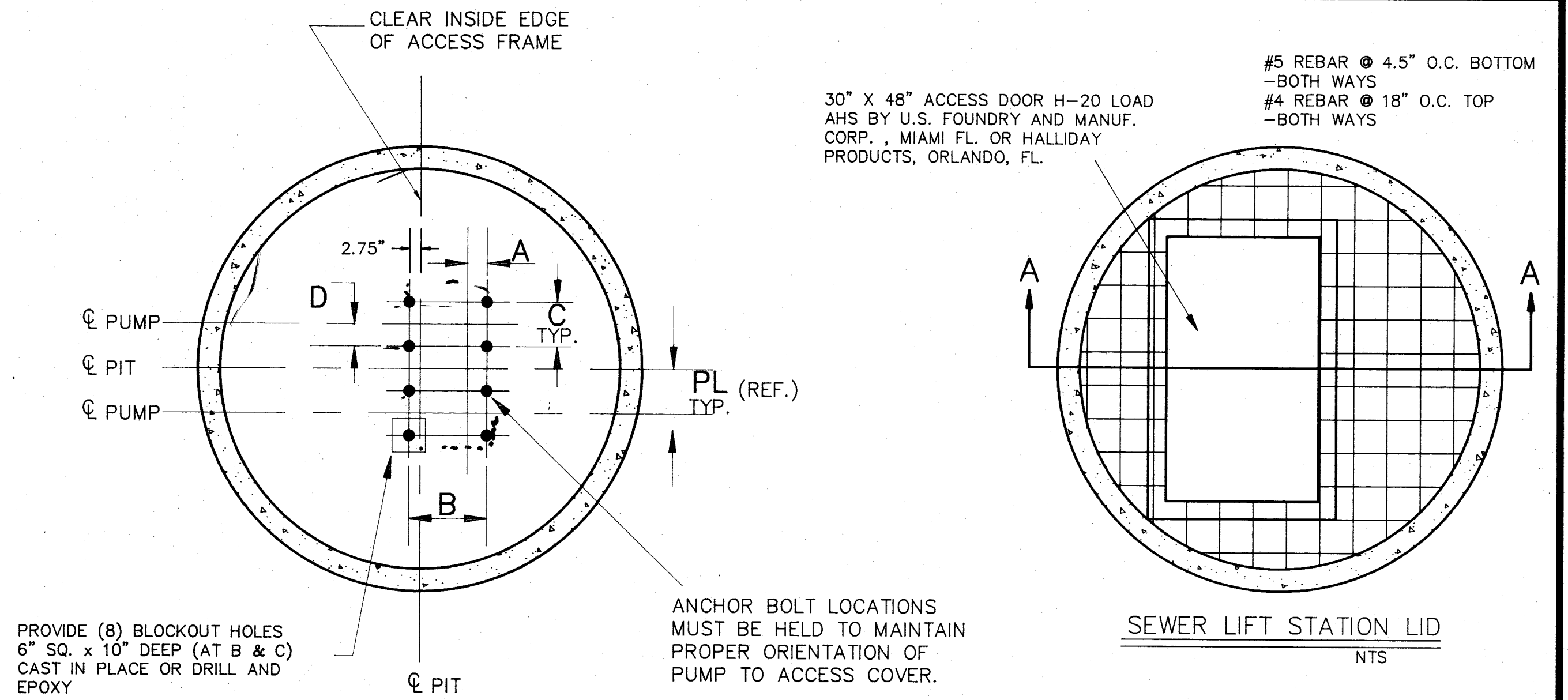


Coastland Civil Engineering, Inc.  
11865 Edgewood Road, Auburn, CA 95603  
530.888.9929 530.888.9979 Fax



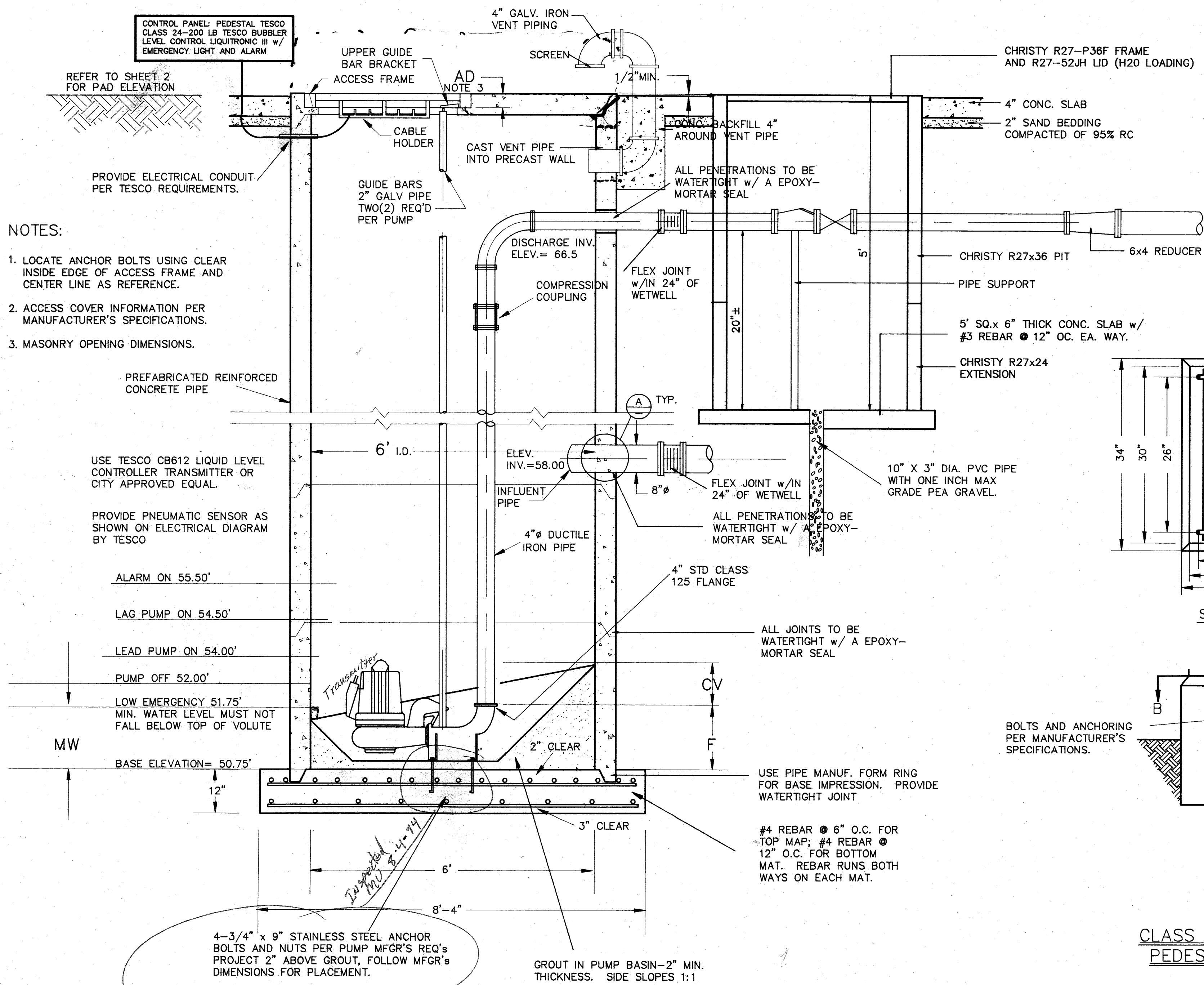
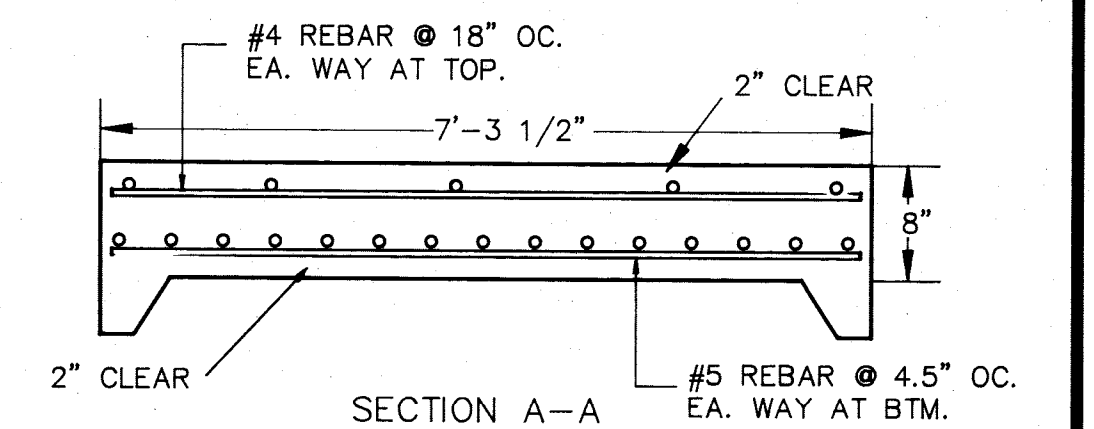
**DIAGRAM 1**  
**TOP VIEW**

**PIPE MATERIAL**  
ALL PIPE FROM THE WETWELL PUMPS TO THE FLEXJOINTS 2' OUTSIDE OF THE WETWELL SHALL BE DUCTILE IRON, REMAINDER SHALL BE C900 PVC



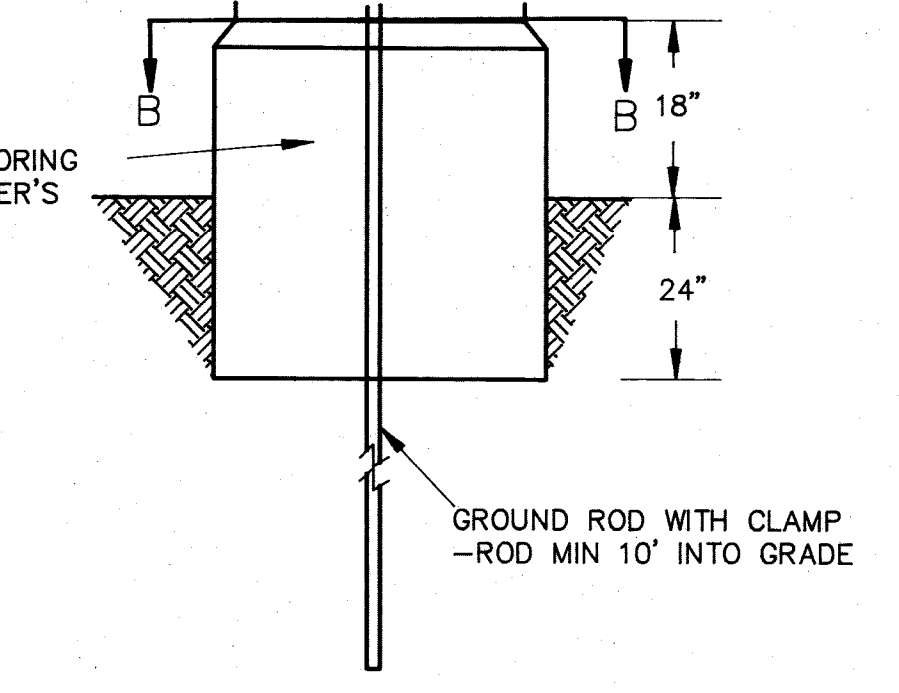
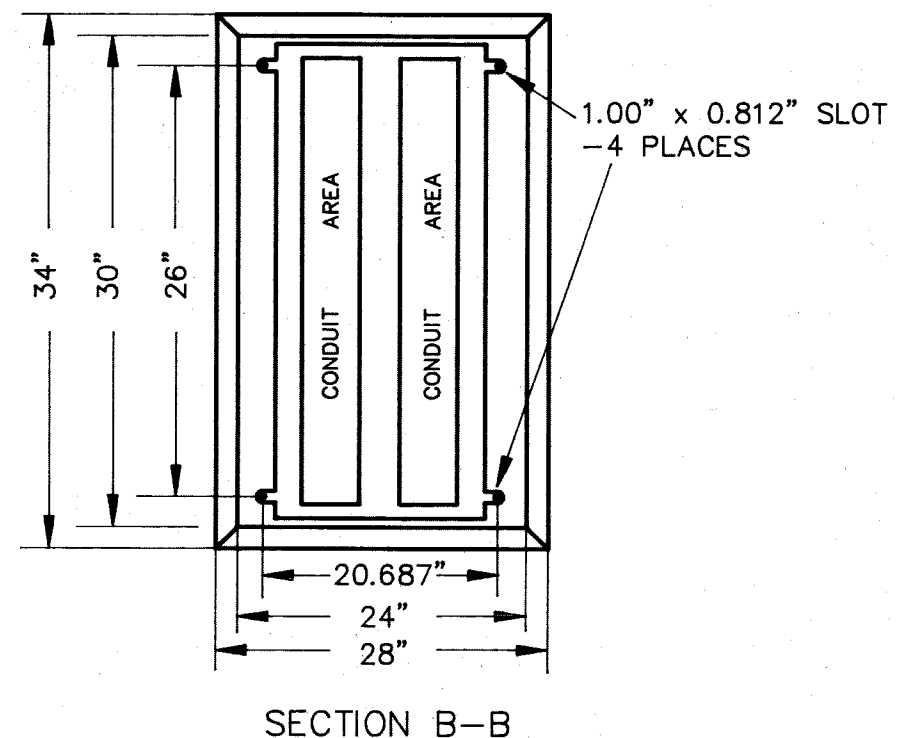
**LEGEND: STATION CP-3102 DIMENSIONS (INCHES)**

STATION	A	B	C	D	F	N	R	S	T	CV	MW
4	2 3/4	10	7 3/4	3 7/8	15 3/4	--	4	11	4 1/2	17 1/2	12
FLYGT ML COVER (AL)											
MODEL/DIAG	U	V	W	X	Y	Z	AD	PL	XA	XB	
20	1	66	42 3/4	49 1/2	22 1/8	31 3/4	38 1/2	3 1/2	10	--	--

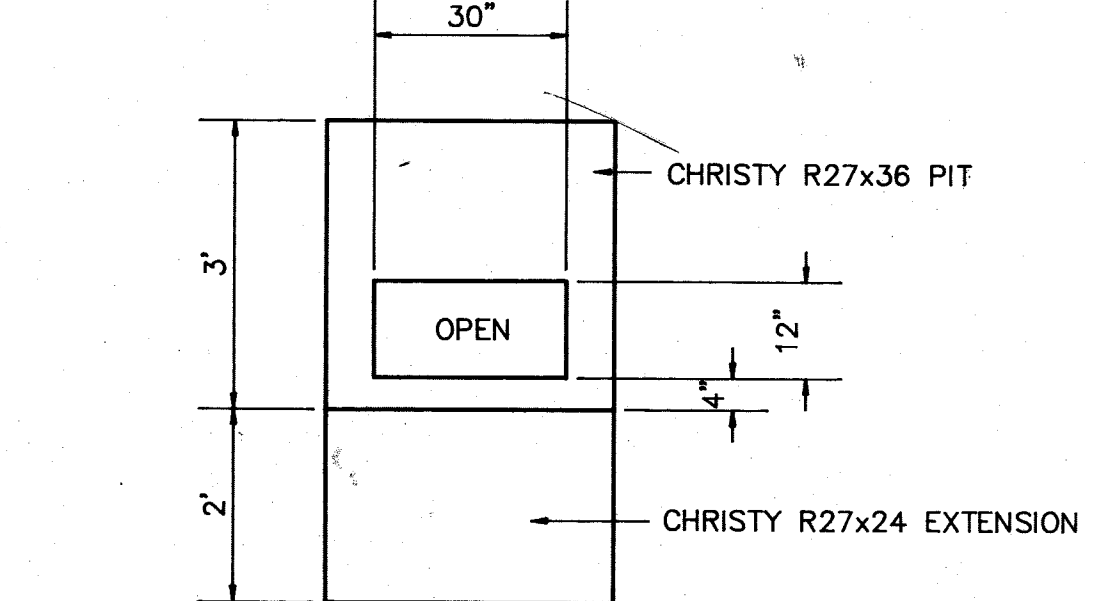


- NOTES:**
- LOCATE ANCHOR BOLTS USING CLEAR INSIDE EDGE OF ACCESS FRAME AND CENTER LINE AS REFERENCE.
  - ACCESS COVER INFORMATION PER MANUFACTURER'S SPECIFICATIONS.
  - MASONRY OPENING DIMENSIONS.

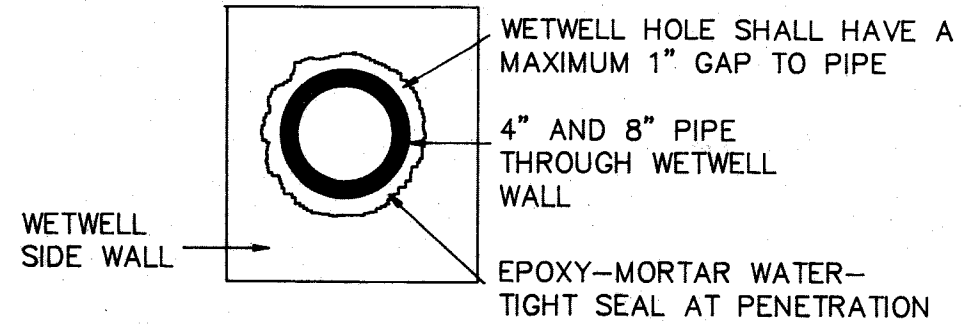
- USE TESCO CB612 LIQUID LEVEL CONTROLLER TRANSMITTER OR CITY APPROVED EQUAL.
- PROVIDE PNEUMATIC SENSOR AS SHOWN ON ELECTRICAL DIAGRAM BY TESCO
- ALARM ON 55.50'
- LAG PUMP ON 54.50'
- LEAD PUMP ON 54.00'
- PUMP OFF 52.00'
- LOW EMERGENCY 51.75'
- MIN. WATER LEVEL MUST NOT FALL BELOW TOP OF VOLUTE
- MW
- BASE ELEVATION= 50.75'



**CLASS 24-200 LB TESCO PEDESTAL FOUNDATION**

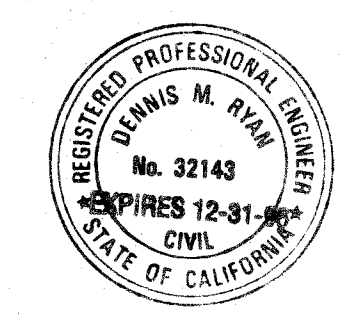


**(B) KNOCK-OUT FOR CHRISTY PIT**



**(A) WETWELL WALL PENETRATION**

- NOTES:**
- CONNECT TO ELECTRICAL STUB, COORDINATE w/ P.G.&E.
  - LIFT STATION WET WELL TO BE TESTED FOR LEAKAGE PRIOR TO ACCEPTANCE BY CITY ENGINEER. MAX. ALLOW LEAKAGE RATE SHALL BY LIMITED TO 0.15 GAL/DAY/S.F. OF INTERIOR SURFACE AREA.
  - INSIDE SURFACE & KNOCKOUTS OF WETWELL SHALL BE COVERED WITH A CONCRETE SEALANT APPROVED BY THE PROJECT ENGINEER AND CITY ENGINEER.
  - CONTRACTOR TO PROVIDE CONNECTION FOR AUX. POWER SUPPLY. SUBMIT ELECTRICAL SHOP DRAWINGS TO ENGINEER AND CITY FOR APPROVAL PRIOR TO INSTALLATION. CONNECTION SHALL BE A "CROUSE HINDS" ADJA20044-200; (INCLUDES APPLETON AR20044 RECEPTACLE. PROVIDE "SQUARE D" 82343RB MANUAL TRANSFER SWITCH
  - REFER TO ALMOND ESTATES SUBDIVISION SEWER LIFT STATION PUMP SPECIFICATIONS DATED SEPT. 1992 AND REVISED AUGUST 1993.
  - PUMPS SHALL BE TESTED AT START-UP. VOLTAGE, CURRENT AND OTHER SIGNIFICANT PARAMETERS RECORDED. THE MFR. SHALL PROVIDE A FORMAL TEST PROCEDURE AND FORMS FOR RECORDING DATA.
  - SUBMIT SHOP DWGS FOR ELECT. CONTROL PANEL TO CITY AND ENGINEER FOR APPROVAL PRIOR TO CONSTRUCTION



**APPROVED FOR CONST.**  
**CITY ENGINEER**  
**4-12-94**

**FOREST GLEN & ALMOND ESTATES**

**LAUGHLIN & CO.**  
**CIVIL ENGINEERS**

1008 LIVE OAK BLVD. YUBA CITY, CA (916)-671-1008

8-3-93

3 OF 3